

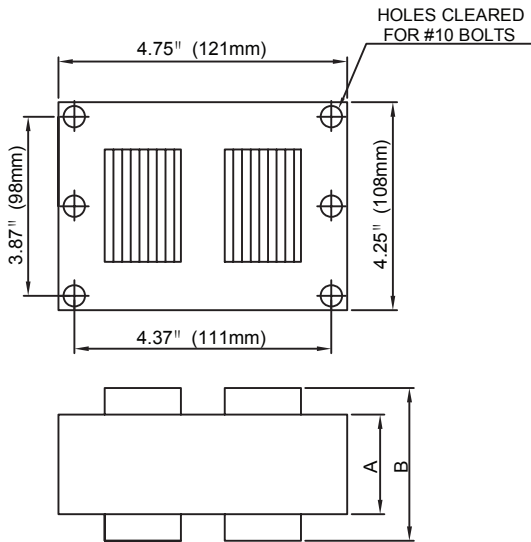
# Plusrite®

**CATALOG NUMBER: BAPS400-CWA/V4**

**400W M135 / M155**

**Pulse Start Metal Halide Lamp Ballast  
60 Hz CWA**

**4X4 CORE - HX, CWA CWI UNITS**



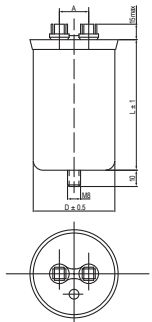
Input Volts		120	208	240	277
Circuit Type	CWA				
<b>REGULATION</b>					
Line Volts	±10%				
Lamp Watts	±10%				
<b>LINE CURRENT( Amps )</b>					
Operating		4.00	2.30	2.00	1.75
Open Circuit		2.00	1.15	1.00	0.85
Starting		3.50	2.00	1.75	1.50
<b>RECOMMENDED FUSE (Amps)</b>					
		10	6	5	5
<b>TEMPERATURE RATINGS</b>					
Insulation Class	180 (H)				
Coil Temperature Code		C	C	C	C
Benchtop Coil Rise		84.3	84.8	84.8	84.9
Power Factor (Min)	90%				
Input Watts	453 W				
Efficiency	88%				
<b>NOM. OPEN CIRCUIT VOLTAGE</b>					
	280				
<b>INPUT VOLTAGE AT LAMP DROPOUT</b>					
		60	104	120	138
<b>MIN AMBIENT STARTING TEMP</b>					
	-20°F/-30°C				

**Capacitor:**

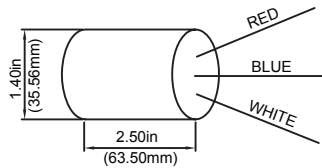
Microfarads: 26.0 uf  
Volts (Max): 400 V  
Case Temp(Max): 100°C  
D: 1.77 in  
L: 3.54 in  
A: 0.71 in

**Ignitor:**

Case Temp (Max): 105 °C  
BTL Distance (Max): 2 ft



Oil-Filled Capacitor



**60 HZ TEST PROCEDURES**

<b>High Potential Test (Volts)</b>					
1 Minute		2,000 V			
1 Second		2,500 V			
<b>Open Circuit Voltage Test (V)</b>					
		250 - 310			
<b>Short Circuit Current Test (A)</b>					
Secondary Current	Min	3.50			
	Max	4.30			
Input Current	Min	2.80	1.60	1.40	1.20
	Max	4.20	2.40	2.10	1.80

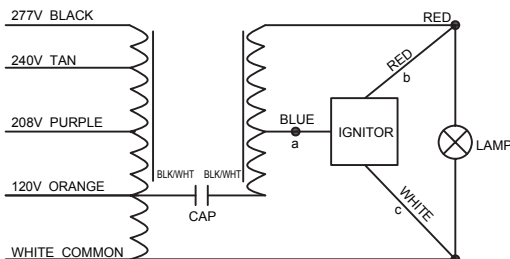
**CORE and COIL Specifications**

Dimension A (in)	2.00
Dimension B (in)	3.90
Weight (lbs)	10.7
Lead Lengths (in)	12

**CAPACITOR REQUIREMENT**

Microfarads	26.0uf
Volts (Min)	330 V

**Wiring Diagram:**



**ORDERING INFORMATION**

The ballast is prewired comes with a kit including capacitor, ignitor and bracket.

Data is based upon tests performed by Plusrite in a controlled environment and is representative of relative performance. Actual performance can vary depending on operating conditions. Specifications are subject to change without notice.

Coil material: Cu/Al