

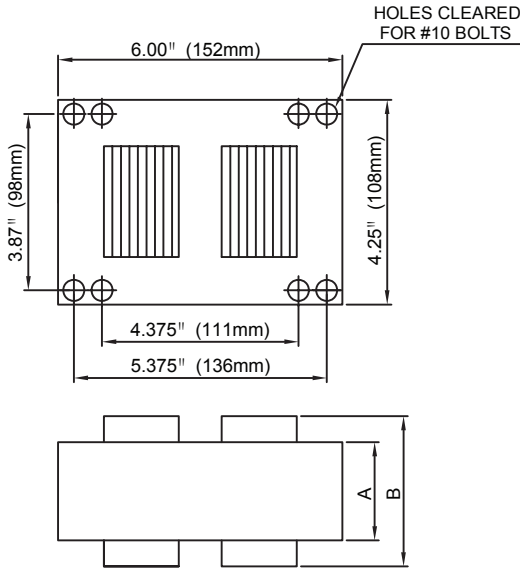
# Plusrite®

**CATALOG NUMBER: BAPS750-CWA/V4**

## 750W M149

**Pulse Start Metal Halide Lamp Ballast**  
**60 Hz CWA**

### 4X6 CORE.WMF



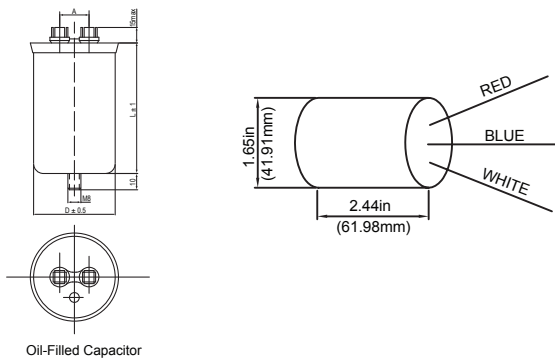
Input Volts		120	208	240	277
Circuit Type	CWA				
<b>REGULATION</b>					
Line Volts	±10%				
Lamp Watts	±10%				
<b>LINE CURRENT (Amps)</b>					
Operating		6.80	4.00	3.40	3.00
Open Circuit		4.60	2.60	2.30	2.00
Starting		4.80	2.80	2.40	2.10
<b>RECOMMENDED FUSE (Amps)</b>					
		17	10	9	8
<b>TEMPERATURE RATINGS</b>					
Insulation Class	180 (H)				
Coil Temperature Code		B	C	B	B
Benchtop Coil Rise		75.9	81.6	75.9	78.2
Power Factor (Min)	90%				
Input Watts	815 W				
Efficiency					
NOM. OPEN CIRCUIT VOLTAGE	370				
INPUT VOLTAGE AT LAMP DROPOUT		60	105	120	140
MIN AMBIENT STARTING TEMP	-20°F/-30°C				
<b>60 HZ TEST PROCEDURES</b>					
<b>High Potential Test (Volts)</b>					
1 Minute		2,000 V			
1 Second		2,500 V			
Open Circuit Voltage Test (V)		335 - 405			
<b>Short Circuit Current Test (A)</b>					
Secondary Current	Min	4.30			
	Max	5.30			
Input Current	Min	3.70	2.00	1.85	1.60
	Max	5.50	3.10	2.75	2.40
<b>CORE and COIL Specifications</b>					
Dimension A (in)		2.80			
Dimension B (in)		4.80			
Weight (lbs)		18.0			
Lead Lengths (in)		12			
<b>CAPACITOR REQUIREMENT</b>					
Microfarads	24.0uf				
Volts (Min)	480 V				

#### Capacitor:

Microfarads: 24.0 uf  
Volts (Max): 480 V  
Case Temp(Max): 100°C  
D: 1.97 in  
L: 3.94 in  
A: 0.79 in

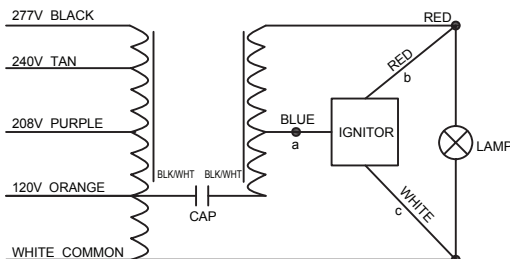
#### Ignitor:

Case Temp (Max): 105 °C  
BTL Distance (Max): 2 ft



#### Wiring Diagram:

**RoHS**



### ORDERING INFORMATION

The ballast is prewired comes with a kit including capacitor, ignitor and bracket.

Data is based upon tests performed by Plusrite in a controlled environment and is representative of relative performance. Actual performance can vary depending on operating conditions. Specifications are subject to change without notice.

Coil material: Al/Al