

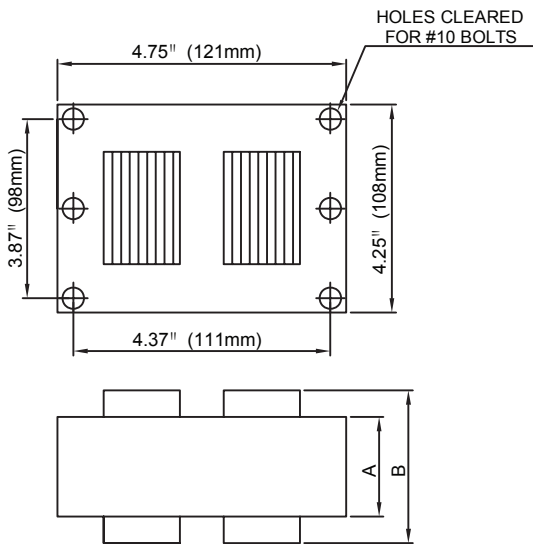


CATALOG NUMBER: BALU250-CWA/V4

250W S50

**High Pressure Sodium Lamp Ballast
60 Hz CWA**

4X4 CORE - HX, CWA & CWI UNITS



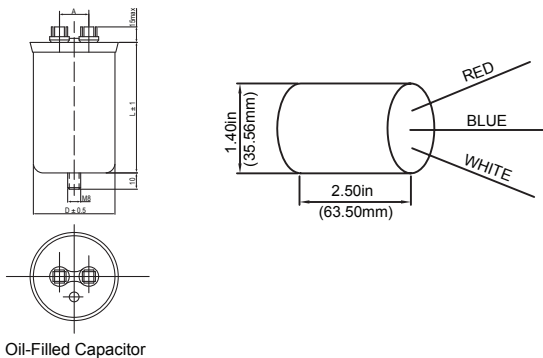
Input Volts		120	208	240	277
Circuit Type	CWA				
REGULATION					
Line Volts	±10%				
Lamp Watts	±13%				
LINE CURRENT(Amps)					
Operating		2.50	1.45	1.25	1.10
Open Circuit		1.90	1.10	0.95	0.85
Starting		1.80	1.00	0.90	0.75
RECOMMENDED FUSE (Amps)					
		7	4	4	3
TEMPERATURE RATINGS					
Insulation Class	H				
Coil Temperature Code	B				
Benchtop Coil Rise		77.4	79.3	79.1	77.9
Power Factor (Min)	90%				
Input Watts	295 W				
Current Crest Factor					
NOM. OPEN CIRCUIT VOLTAGE					
	195				
INPUT VOLTAGE AT LAMP DROPOUT					
		85	145	170	195
MIN AMBIENT STARTING TEMP					
	-40°F/-40°C				
60 HZ TEST PROCEDURES					
High Potential Test (Volts)					
1 Minute		1,600 V			
1 Second		2,000 V			
Open Circuit Voltage Test (V)					
		175 - 215			
Short Circuit Current Test (A)					
Secondary Current	Min	3.80			
	Max	4.70			
Input Current	Min	1.25	0.70	0.60	0.50
	Max	1.90	1.10	0.95	0.85
CORE and COIL Specifications					
Dimension A (in)		2.16			
Dimension B (in)		3.60			
Weight (lbs)		11.0			
Lead Lengths (in)		12			
CAPACITOR REQUIREMENT					
Microfarads		35.0 uf			
Volts (Min)		240 V			

Capacitor:

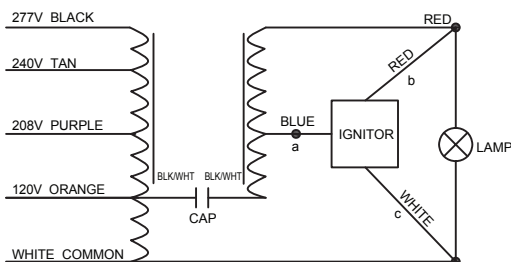
Microfarads: 35.0 uf
 Volts (Max): 330 V
 Case Temp(Max): 100°C
 D: 1.77 in
 L: 3.54 in
 A: 0.71 in

Ignitor:

Temp: 105 °C
 BTL : 2 ft



Wiring Diagram:



ORDERING INFORMATION

The ballast is prewired comes with a kit including capacitor, ignitor and bracket.

Data is based upon tests performed by Plusrite in a controlled environment and is representative of relative performance. Actual performance can vary depending on operating conditions. Specifications are subject to change without notice.

Coil material: Al/Al