

BALLAST SPECIFICATION

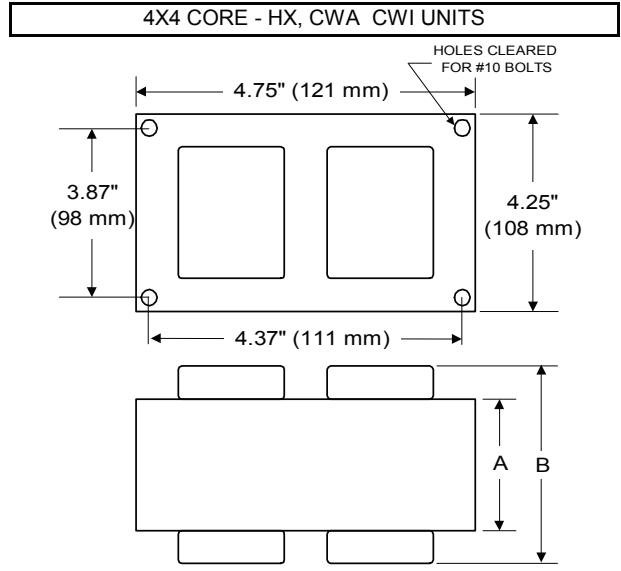
350W M131

Pulse Start Metal Halide

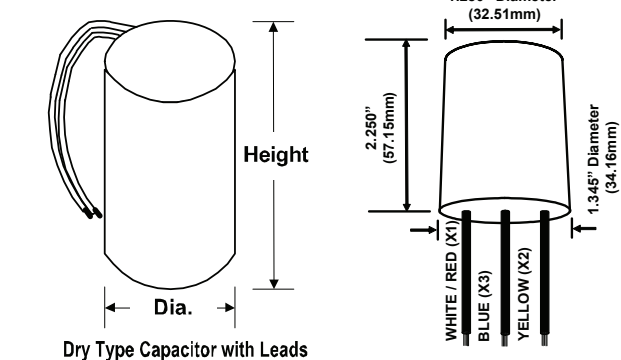
PLT-350PA4TK

60 Hz CWA

Input Volts	120	208	240	277
Line Current (Amps)				
Operating	3.45	1.95	1.75	1.50
Open Circuit	1.60	0.90	0.80	0.70
Starting	3.10	1.80	1.55	1.35
Recommended Fuse (Amps)	9	6	5	4
Regulation				
Line Volts	±10%	±10%	±10%	±10%
Lamp Watts	±10%	±10%	±10%	±10%
Temperature Ratings				
Insulation Class	180 (H)	180 (H)	180 (H)	180 (H)
Coil Temperature Code	A	C	D	D
Benchtop Coil Rise	74.8	83.1	85.7	86.0
Power Factor (Min)	90%	90%	90%	90%
Input Watts	398 W	398 W	398 W	398 W
Efficiency	88%	88%	88%	88%
NOM. Open Circuit Voltage	245	245	245	245
Input Voltage At Lamp Dropout	80	145	150	170
Min Ambient Starting Temp	-20°F/-30°C*	-20°F/-30°C*	-20°F/-30°C*	-20°F/-30°C*
60 HZ TEST PROCEDURES				
High Potential Test (Volts)				
1 Minute	1,600 V	1,600 V	1,600 V	1,600 V
1 Second	1,900 V	1,900 V	1,900 V	1,900 V
Open Circuit Voltage Test (V)	220 - 270	220 - 270	220 - 270	220 - 270
Short Circuit Current Test (A)				
Secondary Current	Min 3.15 Max 3.85	Min 3.15 Max 3.85	Min 3.15 Max 3.85	Min 3.15 Max 3.85
Input Current	Min 2.45 Max 3.65	Min 1.40 Max 2.10	Min 1.25 Max 1.85	Min 1.05 Max 1.60
CORE and COIL Specifications				
Dimension (A)	1.92 in	1.92 in	1.92 in	1.92 in
Dimension (B)	4.00 in	4.00 in	4.00 in	4.00 in
Weight	9.5 lb's	9.5 lb's	9.5 lb's	9.5 lb's
Lead Lengths	12"	12"	12"	12"
Capacitor Requirement				
Microfarads	24.0 uf	24.0 uf	24.0 uf	24.0 uf
Volts (Min)	330 V	330 V	330 V	330 V



Capacitor:	ACG213	Ignitor:	BVS-041
Microfarads:	24.0 uf	Case Temp (Max):	105 °C
Volts (Max):	330 V	BTL Distance (Max):	2 ft
Case Temp (Max):	100 °C		
Height (Max):	3.68 in		
Dia (Max):	1.62 in		



Ordering Information Add Suffix for options

C - With Capacitor
 K - Prewired, with Capacitor and Bracket Kit
 B - With Welded Bracket, no cap
 CB - With Capacitor and Welded Bracket

* -40°F/-40°C Min Ambient Starting Temp
 Coil material: primary Al and secondary Al

RoHS compliant on all manufactured products after August 1, 2007

Data is based upon tests performed by in a controlled environment and is representative of relative performance. Actual performance can vary depending on operating conditions. Specifications are subject to change without notice.

Complies with the Energy Independence and Security Act of 2007 and California Title 20 Appliance Efficiency Regulations

277V BLACK
 240V TAN
 208V PURPLE
 120V ORANGE
 BLK/WHT, BLK/WHT
 CAP
 WHITE COMMON