

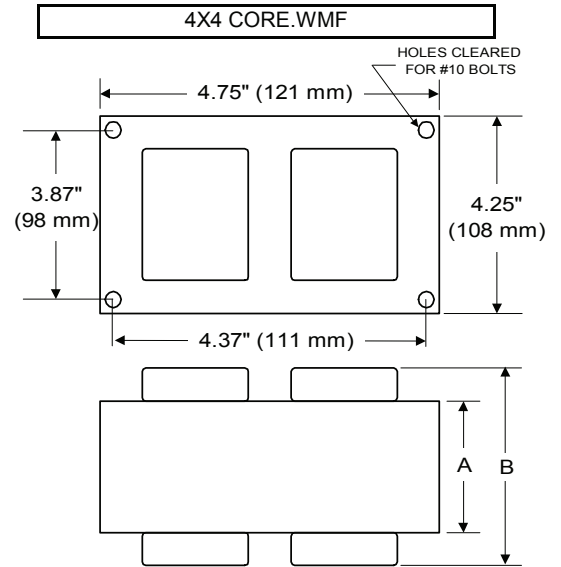
### 400W M135 / M155

Pulse Start Metal Halide

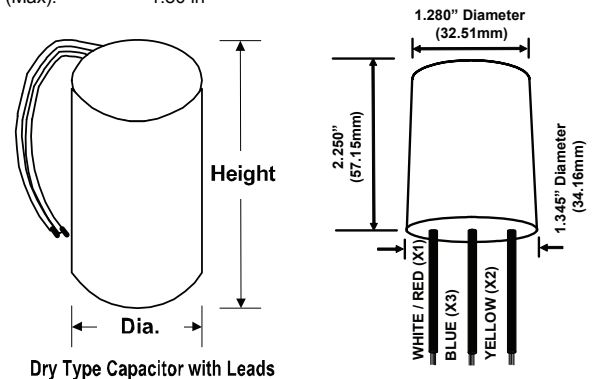
PLT-400PA48TK

60 Hz CWA

<b>Input Volts</b>	480
<b>Line Current ( Amps )</b>	
Operating	1.00
Open Circuit	0.50
Starting	0.80
<b>Recommended Fuse (Amps)</b>	3
<b>Regulation</b>	
Line Volts	±10%
Lamp Watts	±9%
<b>Temperature Ratings</b>	
Insulation Class	180 (H)
Coil Temperature Code	D
Benchtop Coil Rise	89.9
<b>Power Factor (Min)</b>	90%
<b>Input Watts</b>	453 W
<b>Efficiency</b>	88%
<b>NOM. Open Circuit Voltage</b>	250
<b>Input Voltage At Lamp Dropout</b>	290
<b>Min Ambient Starting Temp</b>	-20°F/-30°C*
<b>60 HZ TEST PROCEDURES</b>	
<b>High Potential Test (Volts)</b>	
1 Minute	2,000 V
1 Second	2,400 V
<b>Open Circuit Voltage Test (V)</b>	225 - 275
<b>Short Circuit Current Test (A)</b>	
Secondary Current	Min 3.45 Max 4.25
Input Current	Min 0.65 Max 0.95
<b>CORE and COIL Specifications</b>	
Dimension (A)	2.00 in
Dimension (B)	4.10 in
Weight	11.0 lb's
Lead Lengths	12"
<b>Capacitor Requirement</b>	
Microfarads	26.0 uf
Volts (Min)	345 V



<b>Capacitor:</b>	ACG278	<b>Ignitor:</b>	BVS-041
Microfarads:	26.0 uf	Case Temp (Max):	105 °C
Volts (Max):	400 V	BTL Distance (Max):	2 ft
Case Temp (Max):	100 °C		
Height (Max):	4.72 in		
Dia (Max):	1.80 in		



Dry Type Capacitor with Leads

Ordering Information    Add Suffix for options

- C - With Capacitor
- K - Prewired, with Capacitor and Bracket Kit
- B - With Welded Bracket, no cap
- CB - With Capacitor and Welded Bracket

\* -40°F/-40°C Min Ambient Starting Temp  
Coil material: primary Cu and secondary Al

RoHS compliant on all manufactured products after August 1, 2007

Data is based upon tests performed by in a controlled environment and is representative of relative performance. Actual performance can vary depending on operating conditions. Specifications are subject to change without notice.

2/9/2009    Production



Complies with the Energy Independence and Security Act of 2007 and California Title 20 Appliance Efficiency Regulations



RoHS

