

# GPLED™ & PLED™ INSTALLATION INSTRUCTIONS



Thank you for buying RAB lighting fixtures. Our goal is to design the best quality products to get the job done right. We'd like to hear your comments. Call the Marketing Department at 888-RAB-1000 or email: [marketing@rabweb.com](mailto:marketing@rabweb.com)



## IMPORTANT

**READ CAREFULLY BEFORE INSTALLING FIXTURE. RETAIN THESE INSTRUCTIONS FOR FUTURE REFERENCE.**

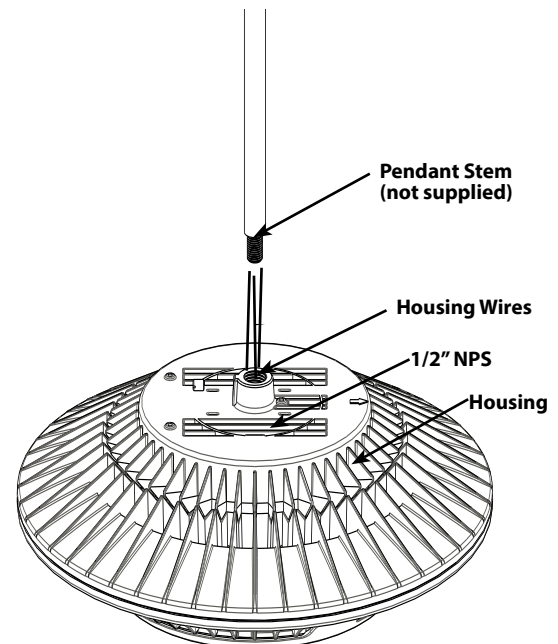
Fixtures must be wired in accordance with the National Electrical Code and all applicable local codes. Proper grounding is required for safety. THIS PRODUCT MUST BE INSTALLED IN ACCORDANCE WITH THE APPLICABLE INSTALLATION CODE BY A PERSON FAMILIAR WITH THE CONSTRUCTION AND OPERATION OF THE PRODUCT AND THE HAZARDS INVOLVED.

**WARNING: Make certain power is OFF before installing or maintaining fixture. No user serviceable parts inside.**

## PENDANT MOUNTING

Choose pendant length and mount the PLED to a junction box as follows:

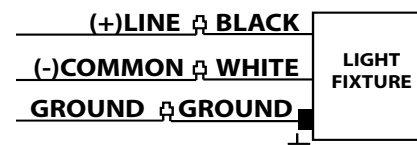
1. Use Pendant Rod with 1/2" NPS thread (not supplied). Fixture is supplied with (50") leads.
2. Feed **Housing wires** through **Pendant** and thread the **Pendant** onto the **Housing**. Wrap teflon tape or silicone gel onto the threads to prevent moisture from getting into the **Housing**.
3. Tighten the set screw on the side of the **Housing**.
4. Make the wiring connections with UL approved connectors at the junction box.



## WIRING

Universal voltage driver permits operation at 120 to 277VAC, 50 or 60Hz.

1. Connect the black fixture lead to the (+) LINE supply lead.
2. Connect the white fixture lead to the (-) COMMON supply lead.
3. Connect the bare copper Ground wire from fixture to supply ground.



Note: These instructions do not cover all details or variations in equipment nor do they provide for every possible situation during installation operation or maintenance.

# GPLED™ & PLED™ INSTALLATION INSTRUCTIONS

Thank you for buying RAB lighting fixtures. Our goal is to design the best quality products to get the job done right. We'd like to hear your comments. Call the Marketing Department at 888-RAB-1000 or email: [marketing@rabweb.com](mailto:marketing@rabweb.com)

## CLEANING & MAINTENANCE

**CAUTION: Be sure fixture temperature is cool enough to touch. Do not clean or maintain while fixture is energized.**

1. Clean lens with non-abrasive glass cleaning solution.
2. Do not open fixture to clean the LED. Do not touch the LED.

## TROUBLESHOOTING

1. Check that the line voltage at fixture is correct. Refer to wiring directions.
2. Is the fixture grounded properly?

**GPLED52** **lighting facts**<sup>®</sup> A Program of the U.S. DOE RAB

Light Output (Lumens)	3644
Watts	60.5
Lumens per Watt (Efficacy)	60

---

Color Accuracy Color Rendering Index (CRI)	67
---	----

---

**Light Color**  
Correlated Color Temperature (CCT)

**5013 (Daylight)**

2700K    3000K    4500K    6500K

All results are according to IESNA LM-79-2008: Approved Method for the Electrical and Photometric Testing of Solid-State Lighting. The U.S. Department of Energy (DOE) verifies product test data and results.

Visit [www.lightingfacts.com](http://www.lightingfacts.com) for the *Label Reference Guide*.

Registration Number: WVMA-VJZZ3R (10/11/2012)  
Model Number: GPLED52  
Type: Parking garage fixture

**GPLED78** **lighting facts**<sup>®</sup> A Program of the U.S. DOE RAB

Light Output (Lumens)	5668
Watts	90.1
Lumens per Watt (Efficacy)	62

---

Color Accuracy Color Rendering Index (CRI)	68
---	----

---

**Light Color**  
Correlated Color Temperature (CCT)

**5085 (Daylight)**

2700K    3000K    4500K    6500K

All results are according to IESNA LM-79-2008: Approved Method for the Electrical and Photometric Testing of Solid-State Lighting. The U.S. Department of Energy (DOE) verifies product test data and results.

Visit [www.lightingfacts.com](http://www.lightingfacts.com) for the *Label Reference Guide*.

Registration Number: WVMA-CAFL8K (02/12/2012)  
Model Number: GPLED78  
Type: Parking garage fixture

**PLED52** **lighting facts**<sup>®</sup> A Program of the U.S. DOE RAB

Light Output (Lumens)	3485
Watts	61.7
Lumens per Watt (Efficacy)	56

---

Color Accuracy Color Rendering Index (CRI)	66
---	----

---

**Light Color**  
Correlated Color Temperature (CCT)

**5194 (Daylight)**

2700K    3000K    4500K    6500K

All results are according to IESNA LM-79-2008: Approved Method for the Electrical and Photometric Testing of Solid-State Lighting. The U.S. Department of Energy (DOE) verifies product test data and results.

Visit [www.lightingfacts.com](http://www.lightingfacts.com) for the *Label Reference Guide*.

Registration Number: WVMA-8XASSN (01/10/2012)  
Model Number: PLED52  
Type: Surface-mounted downlight

**PLED78** **lighting facts**<sup>®</sup> A Program of the U.S. DOE RAB

Light Output (Lumens)	5238
Watts	91
Lumens per Watt (Efficacy)	57

---

Color Accuracy Color Rendering Index (CRI)	66
---	----

---

**Light Color**  
Correlated Color Temperature (CCT)

**5190 (Daylight)**

2700K    3000K    4500K    6500K

All results are according to IESNA LM-79-2008: Approved Method for the Electrical and Photometric Testing of Solid-State Lighting. The U.S. Department of Energy (DOE) verifies product test data and results.

Visit [www.lightingfacts.com](http://www.lightingfacts.com) for the *Label Reference Guide*.

Registration Number: WVMA-YMCEGM (01/10/2012)  
Model Number: PLED78  
Type: Surface-mounted downlight

# LFCLD DOOR REPLACEMENT INSTRUCTIONS

Thank you for buying RAB lighting fixtures. Our goal is to design the best quality products to get the job done right. We'd like to hear your comments. Call the Marketing Department at 888-RAB-1000 or email: [marketing@rabweb.com](mailto:marketing@rabweb.com)

## IMPORTANT

**READ CAREFULLY BEFORE INSTALLING FIXTURE. RETAIN THESE INSTRUCTIONS FOR FUTURE REFERENCE.**

Fixtures must be wired in accordance with the National Electrical Code and all applicable local codes. Proper grounding is required for safety. THIS PRODUCT MUST BE INSTALLED IN ACCORDANCE WITH THE APPLICABLE INSTALLATION CODE BY A PERSON FAMILIAR WITH THE CONSTRUCTION AND OPERATION OF THE PRODUCT AND THE HAZARDS INVOLVED.

**WARNING: Make certain power is OFF before installing or maintaining fixture. No user serviceable parts inside.**

## CLEAR DOOR REPLACEMENT

1. Unscrew the slotted **Set Screws** (6) and remove the **Housing Door**.
2. Place the replacement **Housing Door** on the **Housing** such that the **Slots** on the **Housing Door** (shown in Fig. A) fit in the **Notch** on fins of the **Housing** (shown in Fig. B).
3. Be sure the **Door** seals the **Housing** evenly.
4. Tighten the (6) Set Screws to secure **Door** to the **Housing**.

