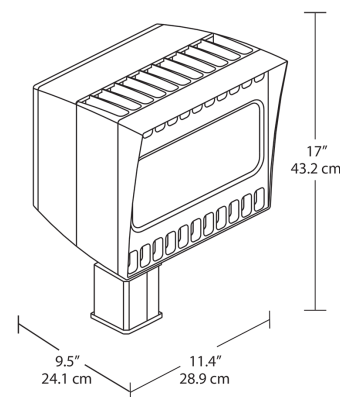


EZLED78SFB44/PC2

This 78W spotlight combines high lumen output and a concentrated narrow beam distribution to illuminate objects up to 80 feet away with brilliant precision. Ideal for lighting large flags, tall building facades and signage.

Color: Bronze

Weight: 26.6 lbs



LED Info

Watts: 78W
 Color Temp: 5000K (Cool)
 Color Accuracy: 66
 L70 Lifespan: 100000
 LM79 Lumens: 6,227
 Efficacy: 64 LPW

Driver Info

Type: Constant Current
 120V: N/A
 208V: N/A
 240V: N/A
 277V: 0.40A
 Input Watts: 97W
 Efficiency: 80%

Technical Specifications

UL Listing:

Suitable for wet locations. Suitable for mounting within 4 ft. of the ground.

Photocell:

Button Photocell 277V included. Photocell is only compatible with 277V.

Effective Projected Area:

EPA = 1.2

LEDs:

Three multi-chip, high-output, long-life LEDs

Lifespan:

100,000-hour LED lifespan based on IES LM-80 results and TM-21 calculations

Driver:

3x26W drivers Constant current, Class2, 100-277V.
 50/60 Hz, 6KV Surge Protection, 720mA, 100-277V
 0.4A, THD <20%, Power Factor 98.9%

Input Watts:

97

Output Lumens:

6227

Lumens per Watt:

64 Lumens per Watt

Color Accuracy (CRI):

66 CRI

Correlated Color Temp. (Nominal CCT):

5000K

Cold Weather Starting:

Minimum starting temperature is -40°F/-40°C

Ambient Temperature:

Suitable for use in 40°C (104°F) ambient temperatures

Thermal Management:

Superior thermal management with external Air-Flow fins

Housing:

Precision die-cast aluminum housing and door frame

Mounting:

2 3/8" slipfitter mount with stainless steel hardware

Lens:

Tempered glass

Reflector:

Vacuum-metalized, specular thermoplastic

NEMA Type:

NEMA Beam 4H x 4V

Gaskets:

High-temperature silicone

Finish:

Chip and fade resistant polyester powder coat finish

Color Stability:

RAB LED performance exceeds industry standards for chromatic stability

Color Uniformity:

RAB's range of CCT (Correlated Color Temperature) follows the guidelines of the American National Standard for Specifications for the Chromaticity of Solid State Lighting (SSL) Products, ANSI C78.377-2011



EZLED78SFB44/PC2 - continued

Green Technology:

Mercury and UV free, and RoHS compliant

IESNA LM-79 & LM-80 Testing:

RAB LED luminaires have been tested by an independent laboratory in accordance with IESNA LM-79 and LM-80, and have received the Department of Energy "Lighting Facts" label

Patents:

The design of EZLED is protected by patents pending in US, Canada, China, Taiwan and Mexico

Country of Origin:

Designed by RAB in New Jersey and assembled in the USA by RAB's IBEW Local 3 workers.

Buy American Act Compliant:

This product is a COTS item manufactured in the United States, and is compliant with the Buy American Act.

Recovery Act (ARRA) Compliant:

This product complies with the 52.225-21 "Required Use of American Iron, Steel, and Manufactured Goods-- Buy American Act-- Construction Materials (October 2010)

Trade Agreements Act Compliant:

This product is a COTS item manufactured in the United States, and is compliant with the Trade Agreements Act.

GSA Schedule:

Suitable in accordance with FAR Subpart 25.4

