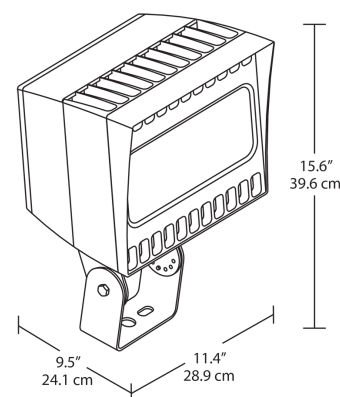


# EZLED78T/PCS2

This 78W spotlight combines high lumen output and a concentrated narrow beam distribution to illuminate objects up to 80 feet away with brilliant precision. Ideal for lighting large flags, tall building facades and signage.

Color: Bronze

Weight: 27.5 lbs



## LED Info

Watts: 78W  
 Color Temp: 5000K (Cool)  
 Color Accuracy: 66  
 L70 Lifespan: 100000  
 LM79 Lumens: 5,765  
 Efficacy: 61 LPW

## Driver Info

Type: Constant Current  
 120V: N/A  
 208V: N/A  
 240V: N/A  
 277V: 0.40A  
 Input Watts: 94W  
 Efficiency: 83%

## Technical Specifications

### UL Listing:

Suitable for wet locations. Suitable for mounting within 4 ft. of the ground.

### Photocell:

Swivel Photocell 277V included. Photocell is only compatible with 277V.

### Effective Projected Area:

EPA = 1.2

### LEDs:

Three multi-chip, high-output, long-life LEDs

### Lifespan:

100,000-hour LED lifespan based on IES LM-80 results and TM-21 calculations

### Driver:

3x26W drivers Constant current, Class2, 100-277V.  
 50/60 Hz, 6KV Surge Protection, 720mA, 100-277V  
 0.4A, THD <20%, Power Factor 99%

### Input Watts:

94

### Output Lumens:

5765

### Lumens per Watt:

61 Lumens per Watt

### Color Accuracy (CRI):

66 CRI

### Correlated Color Temp. (Nominal CCT):

5000K

### Cold Weather Starting:

Minimum starting temperature is -40&degF/-40&degC

### Ambient Temperature:

Suitable for use in 40&deg;C (104&deg;F) ambient temperatures

### Thermal Management:

Superior thermal management with external Air-Flow fins

### Housing:

Precision die-cast aluminum housing and door frame

### Mounting:

Trunnion mount with 18-3AWG ST00W 600V  
 105&deg; wet location rated 3 ft. cord

### Lens:

Tempered glass

### Reflector:

Vacuum-metalized, specular thermoplastic

### NEMA Type:

NEMA Beam 3H x 3V

### Gaskets:

High-temperature silicone

### Finish:

Chip and fade resistant polyester powder coat finish

### Color Stability:

RAB LED performance exceeds industry standards for chromatic stability

### Color Uniformity:

RAB's range of CCT (Correlated Color Temperature) follows the guidelines of the American National Standard for Specifications for the Chromaticity of Solid State Lighting (SSL) Products, ANSI C78.377-2011



EZLED78T/PCS2 - continued

**Green Technology:**

Mercury and UV free, and RoHS compliant

**IESNA LM-79 & LM-80 Testing:**

RAB LED luminaires have been tested by an independent laboratory in accordance with IESNA LM-79 and LM-80, and have received the Department of Energy "Lighting Facts" label

**Patents:**

The design of EZLED is protected by patents pending in US, Canada, China, Taiwan and Mexico

**Country of Origin:**

Designed by RAB in New Jersey and assembled in the USA by RAB's IBEW Local 3 workers.

**Buy American Act Compliant:**

This product is a COTS item manufactured in the United States, and is compliant with the Buy American Act.

**Recovery Act (ARRA) Compliant:**

This product complies with the 52.225-21 "Required Use of American Iron, Steel, and Manufactured Goods-- Buy American Act-- Construction Materials (October 2010)

**Trade Agreements Act Compliant:**

This product is a COTS item manufactured in the United States, and is compliant with the Trade Agreements Act.

**GSA Schedule:**

Suitable in accordance with FAR Subpart 25.4

