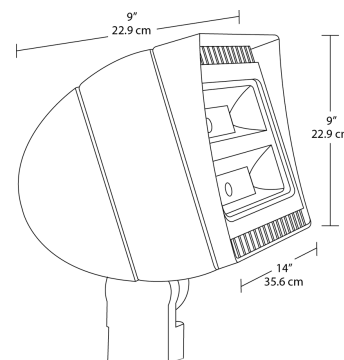


# FXLED78SFN

High power, wide distribution LED floodlight. Replaces 250W MH. Patent Pending airflow technology ensures long LED and driver lifespan. Use for building facade lighting, sign lighting, LED landscape lighting and instant-on security lighting.

Color: Bronze

Weight: 24.0 lbs



## LED Info

Watts: 78W  
 Color Temp: 4000K (Neutral)  
 Color Accuracy: 86  
 L70 Lifespan: 100000  
 LM79 Lumens: 4,645  
 Efficacy: 51 LPW

## Driver Info

Type: Constant Current  
 120V: 0.79  
 208V: 0.49  
 240V: 0.42  
 277V: 0.37  
 Input Watts: 92W  
 Efficiency: 85%

## Technical Specifications

### UL Listing:

Suitable for wet locations. Suitable for mounting within 4' of the ground.

### Lumen Maintenance:

100,000-hour LED lifespan based on IES LM-80 results and TM-21 calculations.

### IP Rating:

Ingress Protection rating of IP66 for dust and water

### EPA:

2

### NEMA Type:

6H x 5V Beam Spread

### Replacement Range:

The FXLED78 can be used to replace 150 - 320W Metal Halide Floodlights based on delivered lumens.

### LEDs:

Six multi-chip, 13Watt high-output, long-life LEDs

### Drivers (3):

Constant Current, Class 2, 720mA, 100 - 277V, 50 - 60 Hz, 100 - 277VAC 0.4 Amps

### Fixture Efficacy:

51 Lumens per Watt

### Surge Protection:

6 KV

### Ambient Temperature:

Suitable for use in 40°C ambient temperatures.

### Cold Weather Starting:

The minimum starting temperature is -40°F/-40°C.

### Thermal Management:

Superior heat sinking with external Air-Flow fins.

### Housing:

Die-cast aluminum housing and door frame

### Mounting:

Heavy-duty Slip Fitter for 2 3/8" OD pipe

### Color Stability:

RAB LED products exceed industry standards for chromatic stability.

### Color Accuracy:

86 CRI

### Color Temperature (Nominal CCT):

4000K

### Color Uniformity:

RAB's range of CCT (Correlated Color Temperature) follows the guidelines of the American National Standard for (SSL) Products, ANSI C78.377-2008.

### Reflector:

Semi-specular anodized aluminum

### Gaskets:

High-temperature silicone gaskets

### Finish:

Chip and fade resistant polyester powder coat finish.

### Green Technology:

Mercury and UV free



FXLED78SFN - continued

**IESNA LM-79 & LM-80 Testing:**

RAB LED luminaires have been tested by an independent laboratory in accordance with IESNA LM-79 and LM-80, and have received the Department of Energy Lighting Facts label.

**California Title 24:**

FFLED78 complies with California Title 24 building and electrical codes.

**Warranty:**

RAB LED fixtures give you peace of mind because both the fixture and driver components are backed by RAB's 5 Year Warranty. For more information,

**Patents:**

The FXLED78 design is protected by Taiwan Patent 01510949 and patents pending in the U.S., Canada, China, and Mexico.

