



# H101B



JOB NAME: \_\_\_\_\_  
 DATE: \_\_\_\_\_  
 TYPE: \_\_\_\_\_

## DESCRIPTION

Large size flood for easier relamping and glare reduction. Durable one piece die casting with rugged mounting arm, weatherproof gasket and drain holes. Accepts 150 watt PAR 38 max. Lamp not supplied.

## SPECIFICATIONS

### UL Listing

Suitable for wet locations. Suitable for mounting within 4' of the ground. Can be aimed above horizontal with accessory hood or visor

### Sockets

Porcelain with all copper current carrying components

### Compatibility with old H100

H101 floods and accessories replace the discontinued RAB H100 and accessories. Parts are not interchangeable. Contact factory for price and availability of the old H100 Series.

### Swivels

Fully adjustable with sure-grip locks. 1/2" NPS threaded arm with serrated locking swivel fits all standard mounting covers. Color matched EZ Grip lock nuts.

### Housings

Die cast aluminum with powder coat finish

### Lamps

Medium base Par-38 lamps up to 150 watts. Halogen lamps give brighter light and choice of beam spreads

### Gaskets

High temperature silicone rubber extends around both socket and lamp.

### Patents

RAB sensor and fixture designs are protected under U.S. and International Intellectual Property laws

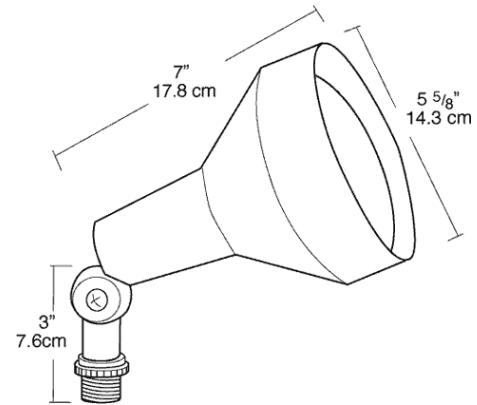
### Color

Black

### Weight

1.45

## DIMENSIONS



## ORDERING INFORMATION

Total Watts	Lamp Type	Lamp Base	Ballast	Starting Amps/ Operating Amps				Input Watts	LAMP ANSI	Initial Lumens	Lamp Hours
				120V	208V	240V	277V				
150	PAR38	Medium	0	0	0	0	0	0.0	0	0	0

### Factory Installed Options

Add suffix to Catalog Number

Note: Specifications may change without notice