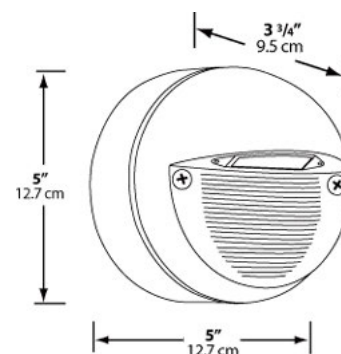


# WPLEDR5Y

5 Watt LED Wallpacks with 3 conduit entry points. Low profile and clean look for surface-mount applications. Equivalent to 13W CFL or 60W incandescent. Mounting height: 5' - 10'. 5 year LED warranty.

Color: Bronze

Weight: 1.6 lbs



## LED Info

Watts: 5W  
 Color Temp: 3000K (Warm)  
 Color Accuracy: 88  
 L70 Lifespan: 100000  
 LM79 Lumens: 133  
 Efficacy: 25 LPW

## Driver Info

Type: Constant Current  
 120V: 0.18A  
 208V: 0.18A  
 240V: 0.18A  
 277V: N/A  
 Input Watts: 5W  
 Efficiency: 94%

## Technical Specifications

### UL Listing:

Suitable for wet locations. Suitable for mounting within 4' of the ground.

### Lumen Maintenance:

100,000-hour LED lifespan based on IES LM-80 results and TM-21 calculations.

### Patents:

The WPLED design is protected by patents pending in the U.S., Canada, China, Taiwan and Mexico.

### LEDs:

5W, high-output, long-life LED

### Drivers:

Constant current, Class 2, 100 - 240VAC, 50 - 60 Hz, 0.18 Amps.

### Fixture Efficacy:

25 Lumens per Watt

### Ambient Temperature:

Suitable for use in 40&deg;C ambient temperatures

### Surge Protection:

1 KV

### Cold Weather Starting:

The minimum starting temperature is -40&deg;F/-40&deg;C

### Thermal Management:

Integral cast aluminum mounting pad for optimum heat sinking to ensure cool operation with maximum LED life and light output.

### Housing:

Precision die cast aluminum housing and mounting plate. 1 1/2" backbox with three 1/2" conduit entry points.

### Gaskets:

High temperature silicone gaskets.

### Finish:

Chip and fade resistant polyester powder coat finish.

### Color Accuracy:

88 CRI

### Color Temperature (Nominal CCT):

3000K

### Color Stability:

RAB LEDs exceed industry standards for chromatic stability.

### Color Uniformity:

RAB's range of CCT (Correlated color temperature) follows the guidelines of the American National Standard for Specifications for the Chromaticity of Solid State Lighting (SSL) Products, ANSI C78.377-2008.

### Green Technology:

Mercury and UV free.

### IESNA LM-79 & IESNA LM-80 Testing:

RAB LED luminaires have been tested by an independent laboratory in accordance with IESNA LM-79 and 80, and have received the Department of Energy "Lighting Facts" label.

### California Title 24:

WPLED5 complies with California Title 24 building and electrical codes.



WPLEDR5Y - continued

**Warranty:**

LED fixtures give you peace of mind because both the fixture and driver components are backed by RAB's 5 Year Warranty. For more information,

**For use on LEED Buildings :**

IDA Dark Sky Approval means that this fixture can be used to achieve LEED Credits for Light Pollution Reduction

**Dark Sky Approved :**

The International Dark Sky Association has approved this product as a full cutoff, fully shielded luminaire.

**ADA:**

WPLEDR5 meets the requirements of the Americans with Disabilities Act (ADA).

**Country of Origin:**

Designed by RAB in New Jersey and assembled in the USA by RAB's IBEW Local 3 workers.

**Buy American Act Compliant:**

This product is a COTS item manufactured in the United States, and is compliant with the Buy American Act.

**Recovery Act (ARRA) Compliant:**

This product complies with the 52.225-21 "Required Use of American Iron, Steel, and Manufactured Goods-- Buy American Act-- Construction Materials (October 2010)

**Trade Agreements Act Compliant:**

This product is a COTS item manufactured in the United States, and is compliant with the Trade Agreements Act.

**GSA Schedule:**

Suitable in accordance with FAR Subpart 25.4

