

# AC Surge Protection Solutions AC1100/AC2100/AC4100 Series Hardwired

AC1100-F-07 • AC2100-F-07 • AC4100-F-07 • AC1100M-F-07 • AC2100M-F-07 • AC4100M-F-07

Raycap ACX100 Series provides affordable hardwired AC surge protection solutions.



AC2100 Series & AC4100 Series

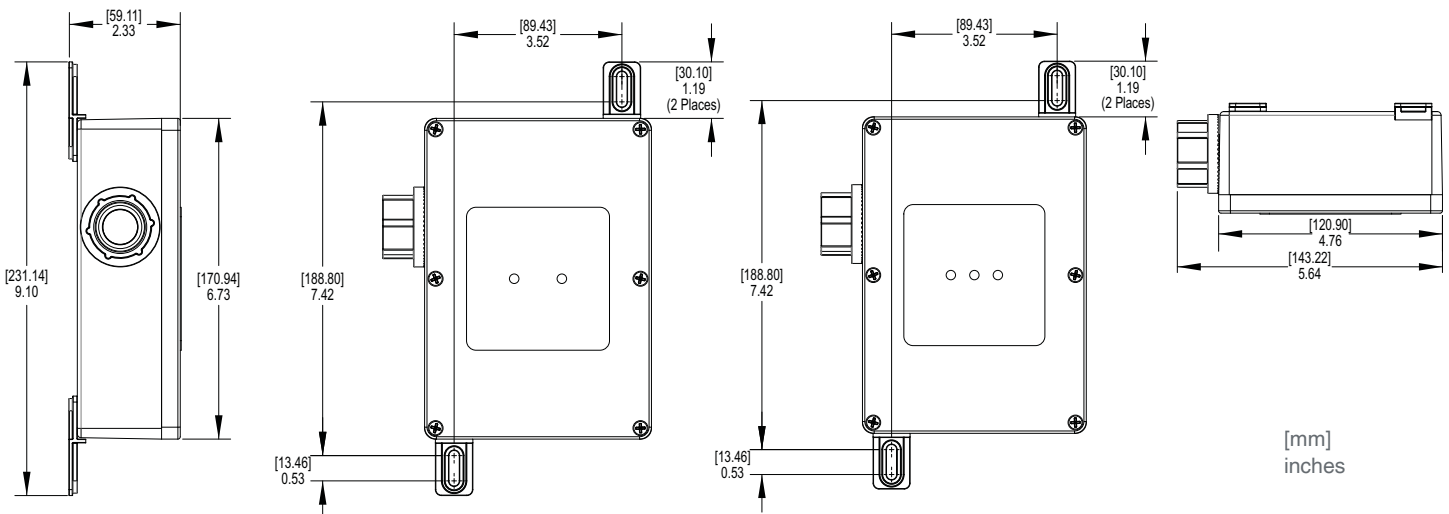
## Features

- UL 1449 3<sup>rd</sup> Edition Listed
- Thermal fused metal oxide varistor (MOV) suppression technology
- Common mode suppression
- Single light-emitting diode (LED) visual protection status indicator per phase
- Remote alarm notification included on models with alarming
- Electromagnetic interference and radio frequency interference (EMI/RFI) filtering
- Surge current capacity 100kA 8/20µs

## Benefits

Compact size and extended temperature operation with the versatility of a Type 4 outdoor enclosure.

## Product Diagram



ACData is a registered trademark of Raycap  
© 2011 Raycap All rights reserved.  
G02-00-001 091511

**Electrical**

Models	AC1100-F-07	AC1100M-F-07	AC2100-F-07	AC2100M-F-07	AC4100-F-07	AC4100M-F-07
Models (no alarm)	-F-NA-07	-F-NA-07	-F-NA-07	-F-NA-07	-F-NA-07	-F-NA-07
Surge Protection Device (SPD) Type to UL	Type 2	Type 2	Type 2	Type 2	Type 2	Type 2
Operating AC Voltage	1 $\phi$ 120V 2W+G	1 $\phi$ 120V 2W+G	1 $\phi$ 120/240V 3W+G	1 $\phi$ 220/127Y 3W+G	3 $\phi$ 208/120Y 4W+G	3 $\phi$ 220/127Y 4W+G
Maximum Continuous Operating AC Voltage (MCOV):						
Line-Neutral	140V	180V	140V	180V	140V	180V
Line-Ground	140V	180V	140V	180V	140V	180V
Neutral-Ground	140V	180V	140V	180V	140V	180V
Line-Line	-	-	254V	280V	220V	280V
Nominal Discharge Current [ $I_n$ ]	20 kA	20 kA	20 kA	20 kA	20 kA	20 kA
Maximum Surge Current Capacity [ $I_{max}$ ]:						
Line-Neutral	100 kA	100 kA	100 kA	100 kA	100 kA	100 kA
Line-Ground	100 kA	100 kA	100 kA	100 kA	100 kA	100 kA
Neutral-Ground	60 kA	60 kA	60 kA	60 kA	60 kA	60 kA
Line-Line	-	-	100 kA	100 kA	100 kA	100 kA
Fault Current Rating	65 kA with no breaker	65 kA with no breaker	65 kA with no breaker	65 kA with no breaker	65 kA with no breaker	65 kA with no breaker
Voltage Protection Rating (VPR):						
Line-Neutral	600V	800V	600V	600V	600V	600V
Line-Ground	1000V	1200V	1000V	1200V	1000V	1200V
Neutral-Ground	600V	700V	600V	700V	600V	700V
Line-Line	-	-	1000V	1200V	1000V	1200V
Suppression Technology	MOV	MOV	MOV	MOV	MOV	MOV

**Mechanical**

Connection Terminal (Suppression) Hardwired	#10 AWG [6 mm <sup>2</sup> ] pigtail leads
Form C Contact Connection (Terminal Block) Hardwired	#22 AWG [0.34 mm <sup>2</sup> ]
Operation Temperature (°C)	-40° C to +80° C
Enclosure Type (Outdoor)	Type 4 Aluminum
Enclosure Dimension (L x W x H)	5.64" x 9.10" x 2.33" [143.22 x 231.41 x 59.11 mm]
Weight	4.0 lbs [1.81 kg]

**Standards Compliance & Certifications**

UL 1283 5 <sup>th</sup> Edition: 2009, UL 1449 3 <sup>rd</sup> Edition: 2009, IEEE C62.41.2: 2002	
Certification	UL
Standards	ANSI, IEEE, NEC

AWG=American Wire Gauge

