

## CATALOG NUMBER: E-MCA00W251

### FOR ONE 250 WATT, M 138 METAL HALIDE LAMP (PULSE START)

Line Voltage	120/208/240/277
Regulation	+/-10%
Frequency	60 Hz
Circuit Type	CWA
Insulation Class	H(180°)
Min. Ambient Starting Temp.	- 20° C

### ELECTRICAL CHARACTERISTICS

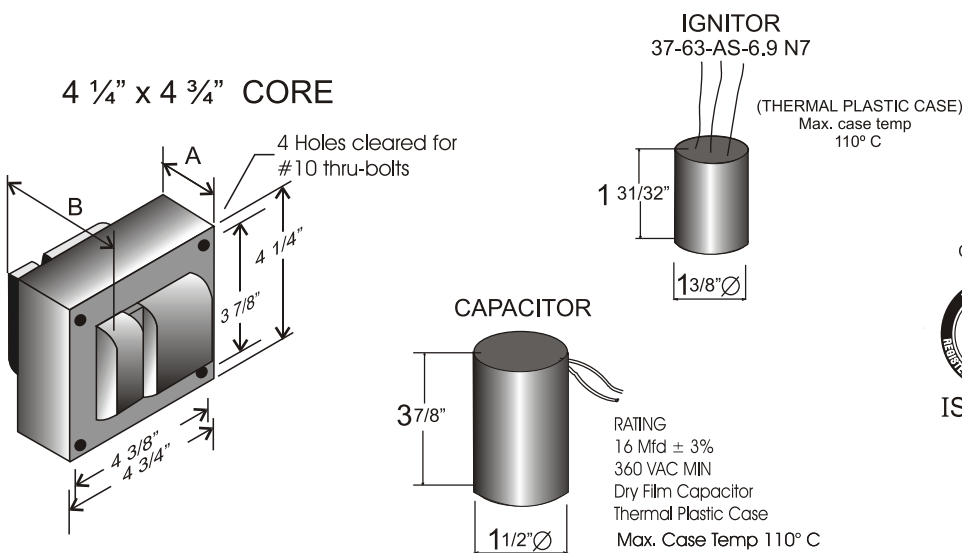
Line Voltage	120	208	240	277
Line Current (Amps)				
Operating	2.50	1.40	1.30	1.10
Open Circuit	2.18	1.30	1.10	0.95
Starting	1.35	0.80	0.70	0.60
Input Watts (W)	288	288	288	288
Open Circuit Voltage (V)	265	265	265	265
Drop Out Voltage	57	98	114	131
UL(1029) Bench Top Rise	B	B	B	B
Recommended Fuse (Amps)	8	5	5	3

### CORE AND COIL

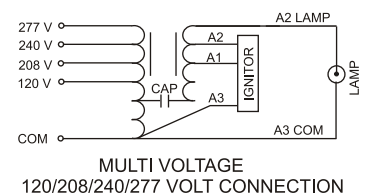
Dimension A (inches)	1.30			
Dimension B (inches)	3.0			
Weight (lbs)	9.40			
Lead Lengths (inches)	12			

### CAPACITOR REQUIREMENTS

Microfarad (Min volt)	16 Mfd, 360 VAC			
-----------------------	-----------------	--	--	--



### WIRING DIAGRAM



Lighting Source  
2707 Realty Road, Suite 110  
Carrollton, TX 75006  
Tel: (888) 385-4448  
Fax: (972) 418-5858