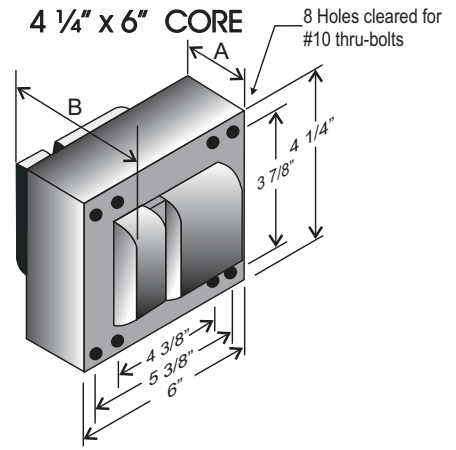


CATALOG NUMBER: E-MCA0DD751 FOR ONE 750 WATT, M149 METAL HALIDE PULSE START LAMP

| | |
|-----------------------------|------------------|
| Line Voltage | 480V |
| Regulation | |
| Line Volts | +/-10% |
| Lamp Watts | +/-10% |
| Frequency | 60 Hz |
| Circuit Type | CWA |
| Power Factor (min) | 90% |
| Insulation Class | H(180°) |
| Min. Ambient Starting Temp. | -20° F or -30° C |

| | |
|-----------------------------------|-------------|
| Line Voltage (Volts) | 480 |
| Line Current (Amps) | |
| Operating | 1.75 |
| Open Circuit | 1.38 |
| Starting | 1.20 |
| Input Watts (W) | 818 |
| Open Circuit Voltage (V) | 360 |
| Drop Out Voltage (V) | 240 |
| UL(1029) Bench Top Rise | D |
| Recommended Fuse (Amps) | 5 |
| HIGH POTENTIAL TEST (VOLTS) | |
| 1Minute | 2000 |
| 2 Seconds | 2500 |
| Open Circuit Voltage Test(volts) | 325-400 |
| Short-Circuit Current Test (Amps) | |
| Secondary Current | 4.4 - 5.3 |
| Input Current (Amps) | 0.90 - 1.35 |

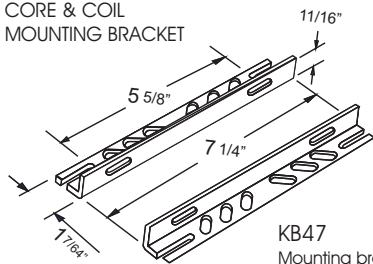


CORE AND COIL

| | |
|-----------------------|-------|
| Dimension A (inches) | 2.40 |
| Dimension B (inches) | 4.40 |
| Weight (Lbs) | 20.00 |
| Lead Lengths (inches) | 12 |

BRACKET

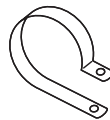
CORE & COIL
MOUNTING BRACKET



KB47
Mounting bracket for
Core & Coil Ballasts
(2 brackets with thru bolts)



C-01
MOUNTING CLIP for round
case (Furnished as standard
with B suffix ballast)



I-01
MOUNTING CLIP for oval
case (Furnished as standard
with B suffix ballast)

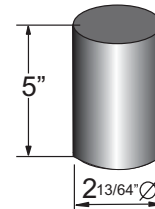
ORDERING INFORMATION

*** Add proper suffix to catalog number when ordering as indicated below:

No suffix = Core and Coil Only
B= Core and Coil, and Bracket
C=Core and Coil, and Capacitor
BC=Core and Coil, Capacitor and Bracket

Data is based upon tests performed by Industrias Sola Basic in a controlled environment and representative of relative performance. Actual Performance can vary depending on operating conditions. Specifications are subject to change without notice.

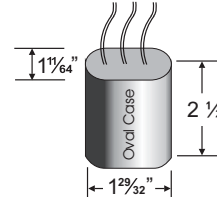
CAPACITOR



RATING
23.5 Mfd ± 3%
480 VAC MIN
Dry Film Capacitor
Thermal Plastic Case
Max. Case Temp 100° C
NO PCB'S

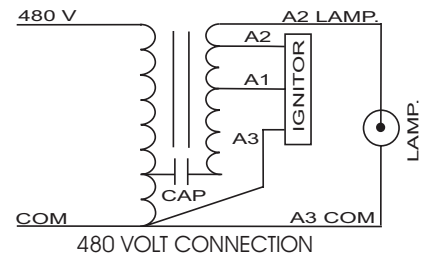
IGNITOR 356-AS-751-MH

Ballast to Lamp Distance (BTL): 5 feet



(THERMAL PLASTIC CASE)
Max. case Temp: 110° C

WIRING DIAGRAM



ISO 9001:2000

