

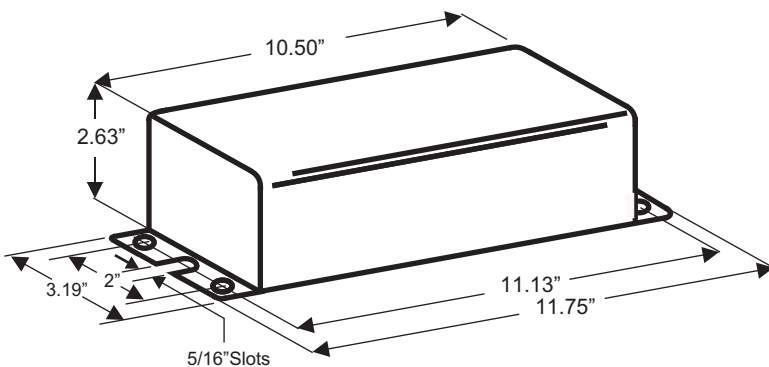
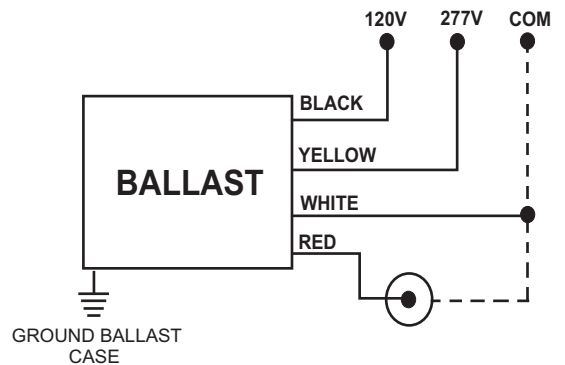
## CATALOG NUMBER: E-MZA0FT70F FOR ONE 70 WATT, M98 METAL HALIDE LAMP

Line Voltage	120/277V
Regulation	
Line Volts	+/-5%
Lamp Watts	+/-10%
Frequency	60 Hz
Circuit Type	HX-HPF
Power Factor (min)	90%
Insulation Class	A(105°)
Min. Ambient Starting Temp.	-20° F or -30° C

Line Voltage (Volts)	120	277
Line Current (Amps)		
Operating	0.85	0.37
Open Circuit	1.95	0.85
Starting	0.65	0.30
Input Watts (W)	94	94
Open Circuit Voltage (V)	250	250
Drop Out Voltage	84	194
UL(1029) Bench Top Rise	A	A
Recommended Fuse (Amps)	5	2
HIGH POTENTIAL TEST (VOLTS)		
1 Minute	2000	
2 Seconds	2500	
Open Circuit Voltage Test(volts)	220-280	
Short-Circuit Current Test (Amps)		
Secondary Current	0.95-1.20	
Input Current		0.47- 0.20-
		0.66 0.30

**IGNITOR: IN CAN**  
The ignitor is included as part of the potted assembly Ballast to Lamp distance (BTL)= 50 feet.

### WIRING DIAGRAM



Weight (lbs)	11.5
Lead Lengths (inches)	12
Sound Rating	B

Data is based upon tests performed by Industrias Sola Basic in a controlled environment and representative of relative performance. Actual Performance can vary depending on operating conditions. Specifications are subject to change without notice.

Made in Mexico by Industrias Sola Basic S.A de C.V.



ISO 9001

Lighting & Power Source  
2707 Realty Road, Suite 110  
Carrollton, TX 75006  
Tel: (888) 385-4448  
Fax: (972) 418-5858