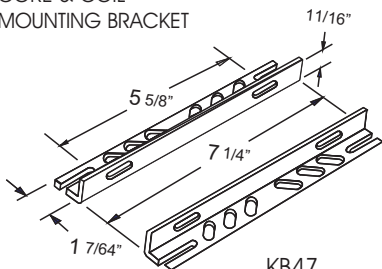


CATALOG NUMBER: E-SCAFRM600 FOR ONE 600 WATT, S 106 HIGH PRESSURE SODIUM LAMP

Line Voltage	120/208/240 V
Regulation	
Line Volts	+/-10%
Line Watts	WHITIN TRAPEZOID
Frequency	60 Hz
Circuit Type	CWA
Power Factor (min)	90%
Insulation Class	H(180°)
Min. Ambient Starting Temp.	-40° F or -40° C

Line Voltage (Volts)	120	208	240
Line Current (Amps)			
Operating	5.5	3.3	2.9
Open Circuit	4.52	2.61	2.28
Starting	4.58	2.65	2.28
Input Watts (W)	670	670	670
Open Circuit Voltage (V)	220	220	220
Drop Out Voltage	60	105	120
UL(1029) Bench Top Rise	A	A	A
Recommended Fuse (Amps)	15	9	8
HIGH POTENTIAL TEST (VOLTS)			
1 Minute	2000		
2 Seconds	2500		
Open Circuit Voltage Test (volts)	200-240		
Short-Circuit Current Test (Amps)			
Secondary Current	7.5-8.7		
Input Current	2.27 - 3.97	1.32 - 2.30	1.15 - 2.00

BRACKET CORE & COIL MOUNTING BRACKET



KB47
Mounting bracket for
Core & Coil Ballasts
(2 brackets with thru bolts)

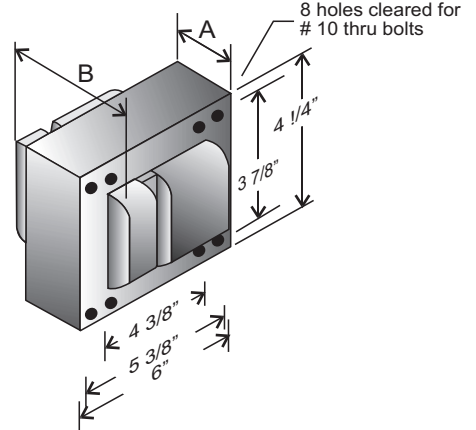


C-01
MOUNTING CLIP for round
case (Furnished as standard
with B suffix ballast)



I-01
MOUNTING CLIP for oval
case (Furnished as standard
with B suffix ballast)

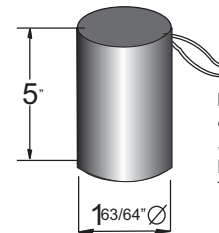
4 1/4" x 6" CORE



CORE AND COIL

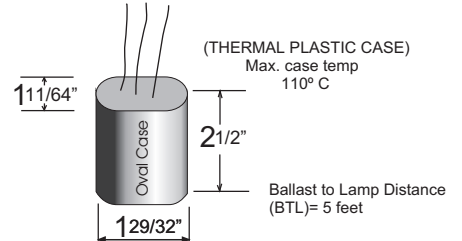
Dimension A (inches)	3.20
Dimension B (inches)	5.40
Weight (lbs)	25
Lead Lengths (inches)	12

CAPACITOR

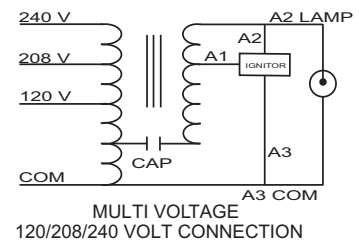


RATING
64 Mfd ± 3%
300 VAC MIN
Dry Film Capacitor
Thermal Plastic Case
Max. Case Temp 100° C

IGNITOR 356-AS-7.9



WIRING DIAGRAM



ORDERING INFORMATION

*** Add proper suffix to catalog number when ordering as indicated below:
No suffix = Core and Coil Only
B = Core and Coil, and Bracket
C = Core and Coil, and Capacitor
BC = Core and Coil, Capacitor and Bracket

Data is based upon tests performed by Industrias Sola Basic in a controlled environment and representative of relative performance. Actual Performance can vary depending on operating conditions. Specifications are subject to change without notice.

Made in Mexico by Industrias Sola Basic S.A de C.V.



Lighting & Power Source LP.
2707 Realty Road, Suite 110
Carrollton, TX 75006 USA
Tel: (972) 416-4500
Fax: (972) 418-5858