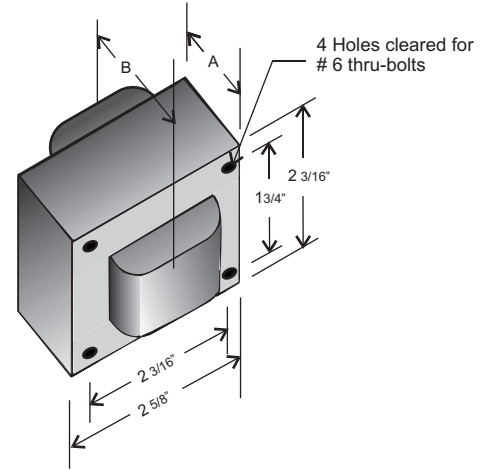


## CATALOG NUMBER: E-SRN00F35 FOR ONE 35 WATT, S-76 HIGH PRESSURE SODIUM LAMP

Line Voltage	120 V
Regulation	
Line Volts	+/- 5%
Line Watts	WITHIN TRAPEZOID
Frequency	60 Hz
Circuit Type	R - NPF (HPF WITH CAP)
Power Factor (min)	90% min with CAP
Insulation Class	H(180°)
Min. Ambient Starting Temp.	-40° F or -40° C

2 5/8" X 2 3/16" CORE

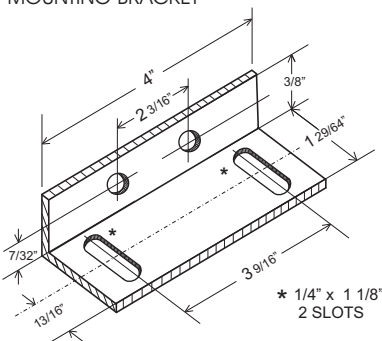


### CORE AND COIL

Dimension A (inches)	0.65
Dimension B (inches)	1.8
Weight (lbs)	1.75
Lead Lengths (inches)	12

Line Voltage (Volts)	120	120
Line Current (Amps)	NPF	HPF
Operating	0.83	0.40
Open Circuit	0.0	0.65
Starting	1.10	0.48
Input Watts (W)	45	45
Open Circuit Voltage (V)	120	120
Drop Out Voltage	95	95
UL(1029) Bench Top Rise	B	B
Recommended Fuse (Amps)	3	2
HIGH POTENTIAL TEST (VOLTS)		
1 Minute	2000	
2 Seconds	2500	
Open Circuit Voltage Test (volts)	114-126	
Short-Circuit Current Test (Amps)		
Secondary Current	1.0 - 1.17	
Input Current	1.0- 1.16	0.40- 0.50

### BRACKET CORE & COIL MOUNTING BRACKET

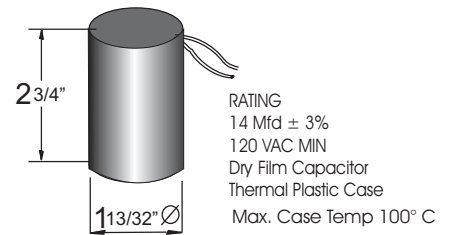


1353  
Mounting bracket for  
Core & Coil Ballasts  
(1 bracket with thru bolts)

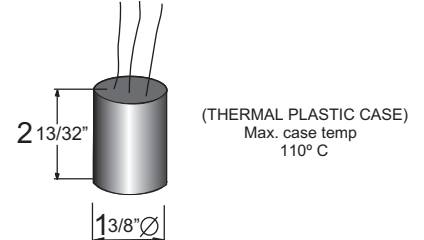


C-01  
MOUNTING CLIP for round  
case (Furnished as standard  
with B suffix ballast)

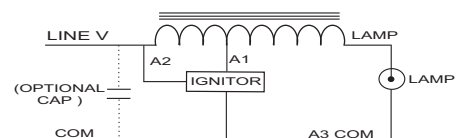
### CAPACITOR



### IGNITOR 37-63-AS-11.1N



### WIRING DIAGRAM



### ORDERING INFORMATION

\*\*\* Add proper suffix to catalog number when ordering as indicated below:  
No suffix = Core and Coil and Ignitor Only  
B = Core and Coil, Ignitor and Bracket  
C = Core and Coil, Ignitor and Capacitor  
BC = Core and Coil, Ignitor, Capacitor and Bracket

Data is based upon tests performed by Industrias Sola Basic in a controlled environment and representative of relative performance. Actual Performance can vary depending on operating conditions. Specifications are subject to change without notice.

CERT. No.  
006281



ISO 9001

Lighting & Power Source  
2707 Realty Road, Suite 110  
Carrollton, TX 75006  
Tel: (888) 385-4448  
Fax: (972) 418-5858

Made in Mexico by Industrias Sola Basic S.A de C.V.