

SORAA LED PAR 30 SHORT NECK

18.5W



OUTPUT RANGE: VIVID SERIES	930-1050 lumen; CRI-95, R9>90
OUTPUT RANGE: BRILLIANT SERIES	1190-1280 lumen; CRI-80
BEAM ANGLE RANGE	9°, 25°, 36°, 60°
COLOR TEMPERATURE RANGE	2700K, 3000K, 4000K, 5000K
APPLICATION	Halogen replacement for indoor & outdoor applications



POINT SOURCE OPTICS

Exceptional beam control enables unique 9° narrow spot and smooth uniform beams

Single light source, single crisp shadow

VP₃ VIVID COLOR AND VP₃ NATURAL WHITE

VIVID series provides accurate color rendering across the visible spectrum from 400nm to 700nm, CRI-95, R9>90

Accurate white rendering based on >70% excitation of Optical Brightening Agents with emission between 400nm & 440 nm

ENERGY EFFICIENCY AND LONG LIFE

85% more energy efficient than standard halogen lamps

Typical payback of one year or less

Rated lifetime of 35,000 hours. Three year warranty

CERTIFICATIONS

UL/CUL Class 2 and non-Class 2, FCC Title 47 Part 15B, RoHS, CE

HIGHLY COMPATIBLE

Narrow spot compatible with Soraa SNAP System accessories

Thermally and geometrically compatible with standard fixtures

Suitable for fully enclosed fixtures per UL 1993. Can be used with front glass cover

Suitable for damp locations per UL

Works with trailing edge and leading edge phase cut dimmers (see www.soraa.com/resources)

INTENDED USE AND APPLICATIONS

For use in PAR30S compatible recessed downlights, track lighting and other indoor and outdoor applications

Soraa lamps are designed to safely turn down in any thermal environment not conducive to minimum airflow or proper ventilation

GENERAL SPECIFICATIONS

Form Factor

Width: 96mm (3.78")

Height: 82mm (3.23")

Weight: 269g

Operating Temperature

Minimum: -40°C (ambient)

Typical: 70°C - 80°C (base)

Maximum: 90°C (base)

Electrical

Wattage: 18.5W

Power factor: 0.95

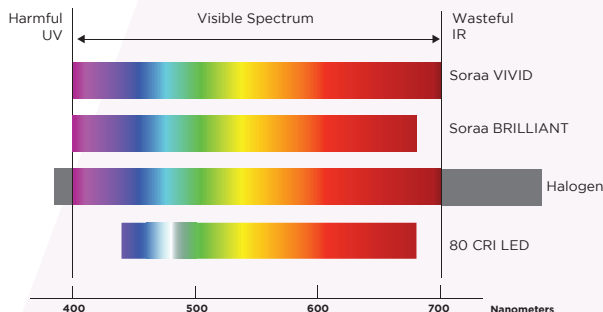
Voltage: 120V +/- 12V

Dimmable to <20%

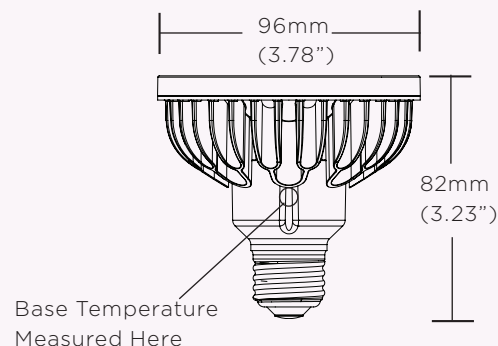
Flicker Index < 0.12

Percent Flicker: 32%

COLOR RENDERING



DIMENSIONS



SORAA LED PAR 30 SHORT NECK 18.5W

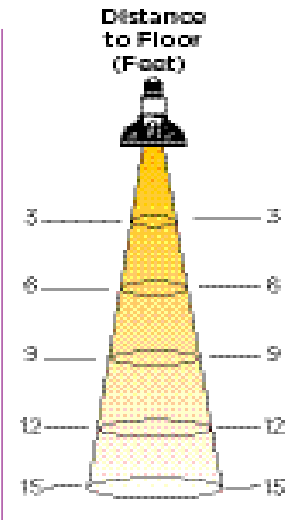
BEAM DIAGRAM

Narrow Spot 9°

Beam Dia at 50% CBCP (ft)	Field Dia at 10% CBCP (ft)	Foot-candles (% of CBCP)
0.5	0.8	11.1%
0.9	1.7	2.8%
1.4	2.5	1.2%
1.9	3.4	0.7%
2.4	4.2	0.4%

Narrow Flood 25°

Beam Dia at 50% CBCP (ft)	Field Dia at 10% CBCP (ft)	Foot-candles (% of CBCP)
1.3	2.2	11.1%
2.7	4.4	2.8%
4.0	6.6	1.2%
5.3	8.7	0.7%
6.7	10.9	0.4%



Flood 36°

Beam Dia at 50% CBCP (ft)	Field Dia at 10% CBCP (ft)	Foot-candles (% of CBCP)
1.9	3.5	11.1%
3.9	6.9	2.8%
5.8	10.4	1.2%
7.8	13.9	0.7%
9.7	17.3	0.4%

Wide Flood 60°

Beam Dia at 50% CBCP (ft)	Field Dia at 10% CBCP (ft)	Foot-candles (% of CBCP)
3.5	6.0	11.1%
6.9	12.0	2.8%
10.4	18.0	1.2%
13.9	24.0	0.7%
17.3	30.0	0.4%

SPECIFICATIONS BY MODEL NUMBER*

Model Number	Product Code	CCT (K)	Beam Angle (°)	Field Angle (°)	CBCP (cd)	Halogen Equivalent** (Watts)	Total Flux (Lm)	Efficacy (Lm/W)	CRI/R9	White Point (McA)
SORAA VIVID SERIES										
SP30S-18-09D-927-03 ^{SNAP}	00821	2700	9	16	17200	110	930	50	95 / 95	3
SP30S-18-25D-927-03	00823	2700	25	40	5020	90	930	50	95 / 95	3
SP30S-18-36D-927-03	00825	2700	36	60	2320	90	930	50	95 / 95	3
SP30S-18-60D-927-03	00827	2700	60	90	1020	90	930	50	95 / 95	3
SP30S-18-09D-930-03 ^{SNAP}	00837	3000	9	16	18500	110	1000	54	95 / 95	3
SP30S-18-25D-930-03	00839	3000	25	40	5400	90	1000	54	95 / 95	3
SP30S-18-36D-930-03	00841	3000	36	60	2500	90	1000	54	95 / 95	3
SP30S-18-60D-930-03	00843	3000	60	90	1100	90	1000	54	95 / 95	3
SP30S-18-09D-940-03 ^{SNAP}	00853	4000	9	16	19240	110	1040	56	95 / 95	4
SP30S-18-25D-940-03	00855	4000	25	40	5600	90	1040	56	95 / 95	4
SP30S-18-36D-940-03	00857	4000	36	60	2600	90	1040	56	95 / 95	4
SP30S-18-60D-940-03	00859	4000	60	90	1140	90	1040	56	95 / 95	4
SP30S-18-09D-950-03 ^{SNAP}	00861	5000	9	16	19420	110	1050	57	95 / 90	5
SP30S-18-25D-950-03	00863	5000	25	40	5660	90	1050	57	95 / 90	5
SP30S-18-36D-950-03	00865	5000	36	60	2620	90	1050	57	95 / 90	5
SP30S-18-60D-950-03	00867	5000	60	90	1140	90	1050	57	95 / 90	5
SORAA BRILLIANT SERIES										
SP30S-18-09D-827-03 ^{SNAP}	00829	2700	9	16	22000	120	1190	64	80 / >0	3
SP30S-18-25D-827-03	00831	2700	25	40	6420	110	1190	64	80 / >0	3
SP30S-18-36D-827-03	00833	2700	36	60	2960	110	1190	64	80 / >0	3
SP30S-18-60D-827-03	00835	2700	60	90	1300	110	1190	64	80 / >0	3
SP30S-18-09D-830-03 ^{SNAP}	00845	3000	9	16	23680	120	1280	69	80 / >0	3
SP30S-18-25D-830-03	00847	3000	25	40	6900	110	1280	69	80 / >0	3
SP30S-18-36D-830-03	00849	3000	36	60	3200	110	1280	69	80 / >0	3
SP30S-18-60D-830-03	00851	3000	60	90	1400	110	1280	69	80 / >0	3

*Specifications are at stable warm operating conditions (25°C ambient) **Energy Star Minimum ^{SNAP}SORAA SNAP System Compatible
 CCT = Correlated Color Temperature CRI = Color Rendering Index (Ra-8) White Point = White Point Accuracy in McA step

SAFETY NOTE ON HEAT

Although Soraa's lamps operate at cooler temperatures than halogen lamps, it is recommended that gloves be worn when handling bare lamps that have been energized.

Information and specifications subject to change. SP30S 18W Rev 1 9.30.14

Soraa Inc. 6500 Kaiser Drive, Suite 110, Fremont, CA 94555
 855 GO-SORAA / 855 467-6722 www.soraa.com