

SORAA[®] VIVID LED PAR 38 5000K 18.5W



OUTPUT	1140-25300 CBCP, 1050 Lumens
BEAM	8°, 25°, 36°, 60°
COLOR	CCT: 5000K CRI>95, R9 95
APPLICATION	Halogen replacement for indoor and outdoor applications

PERFORMANCE

CBCP matches standard incandescent and halogen lamps
 Single light source, single crisp shadow
 Narrow spot compatible with Soraa SNAP System accessories

COLOR AND WHITENESS

Rich saturated color rendering
 Excellent color stability
 Superior white rendering based on >70% excitation of Optical Brightening Agents (OBA) with spectral emission between 400nm and 440nm

OPTIMIZED FORM

Compatible with standard fixtures
 Proprietary fanless aluminum design for superior thermal dissipations

HIGHLY COMPATIBLE

Works with trailing edge and leading edge phase cut dimmers (see complete list at www.soraa.com)

SPECIFICATIONS*

Color	Electrical	Form Factor
CCT: 5000K	Dimmable to 10%	Width: 4.80"
CRI>95, R9>95	Power factor: 0.90	Height: 4.92"
White point: Within 5-step McAdam ellipse	Voltage: 120V +/- 12V	Weight: 305g

Reference Number	Product Code	Beam	Field	CBCP	Watts	Halogen Equiv**	Lumen	Lm/W
SP38-18-08D-950-03	01017	8°	13°	25300	18.5	100W	1050	57
SP38-18-25D-950-03	01019	25°	38°	5660	18.5	100W	1050	57
SP38-18-36D-950-03	01021	36°	53°	2620	18.5	100W	1050	57
SP38-18-60D-950-03	TBD	60°	82°	1140	18.5	100W	1050	57

*at stable warm operating conditions (25°C ambient)

**Energy Star minimum

120V



5000K

CRI >95



DIM



POWERED BY



Soraa Inc.



RoHS

SORAA VIVID LED PAR 38 5000K 18.5W

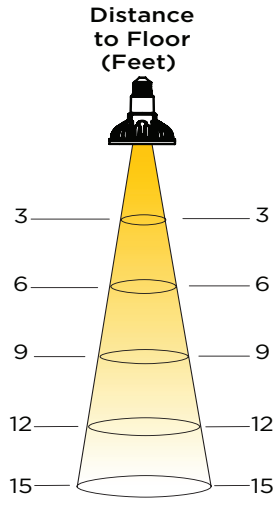
PHOTOMETRICS

Narrow Spot 8°

Beam Dia at 50% CBCP (ft)	Field Dia at 10% CBCP (ft)	Foot-candles
0.42	0.68	2811
0.84	1.37	703
1.26	2.05	312
1.68	2.73	176
2.10	3.42	112

Narrow Flood 25°

Beam Dia at 50% CBCP (ft)	Field Dia at 10% CBCP (ft)	Foot-candles
1.33	2.07	629
2.66	4.13	157
3.99	6.20	70
5.32	8.26	39
6.65	10.33	25



Flood 36°

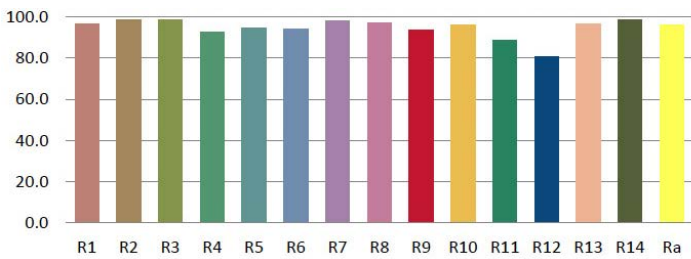
Beam Dia at 50% CBCP (ft)	Field Dia at 10% CBCP (ft)	Foot-candles
1.95	2.99	291
3.90	5.98	73
5.85	8.97	32
7.80	11.97	18
9.75	14.96	12

Wide Flood 60°

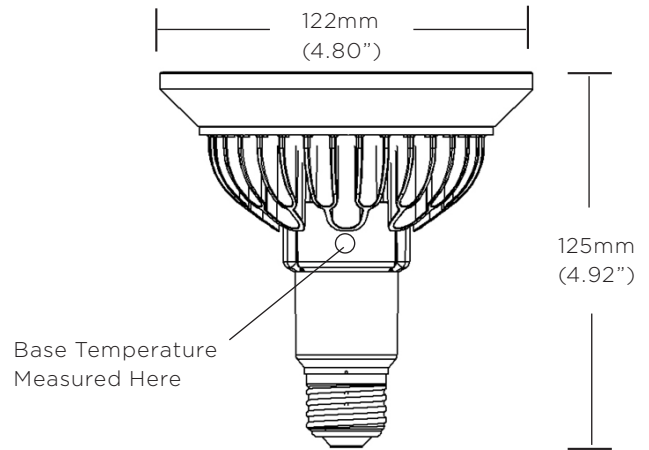
Beam Dia at 50% CBCP (ft)	Field Dia at 10% CBCP (ft)	Foot-candles
3.46	5.22	127
6.93	10.43	32
10.39	15.65	14
13.86	20.86	8
17.32	26.08	5

COLOR RENDERING

CRI - Relative R Values



DIMENSIONS



SAFETY NOTE ON HEAT

Soraa's unique LED technology allows its lamps to operate effectively and efficiently at higher temperatures than other LED lamps, resulting in more light output per diode. Although Soraa's lamps operate at cooler temperatures than halogen lamps, it is recommended that gloves be worn when handling bare lamps that have been energized.

TRANSFORMER/DIMMER COMPATIBILITY

Dimmable to 10% or lower, depending on dimmer. Complete transformer and dimmer compatibility information available at www.soraa.com.

