

SORAA LED MR16 - GU10 BASE

7.5W



| | |
|--------------------------------|---|
| OUTPUT RANGE: VIVID SERIES | 390-455 lumen; CRI-95, R9>90 |
| OUTPUT RANGE: BRILLIANT SERIES | 475-525 lumen; CRI-80 |
| BEAM ANGLE RANGE | 10°, 25°, 36°, 60° |
| COLOR TEMPERATURE RANGE | 2700K, 3000K, 4000K, 5000K |
| APPLICATION | Halogen replacement for indoor & outdoor applications |



POINT SOURCE OPTICS

Exceptional beam control enables unique 10° narrow spot and smooth uniform beams

Single light source, single crisp shadow

VP₃ VIVID COLOR AND VP₃ NATURAL WHITE

VIVID series provides accurate color rendering across the visible spectrum from 400nm to 700nm, CRI-95, R9>90

Accurate white rendering based on >70% excitation of Optical Brightening Agents with emission between 400nm & 440 nm

ENERGY EFFICIENCY AND LONG LIFE

85% more energy efficient than standard halogen lamps

Typical payback of one year or less

Rated lifetime of 35,000 hours. Three year warranty

CERTIFICATIONS

UL Class 2 and non-class 2, CUL, FCC 47 CFR Part 15 and Part 18 (EMI), RoHS

GENERAL SPECIFICATIONS

Form Factor

Width: 49.9mm (1.96")

Height: 53.5mm (2.10")

Weight: 61g

Operating Temperature

Minimum: -40°C (ambient)

Typical: 75°C - 85°C (base)

Maximum: 95°C (base)

Electrical

Wattage: 7.5W

Power factor: 0.93

Voltage: 120V +/- 1.2V

Dimmable to < 20%

HIGHLY COMPATIBLE

Narrow spot compatible with Soraa SNAP System accessories

Thermally and geometrically compatible with standard fixtures

Lightweight, similar to halogen lamps

Suitable for fully enclosed fixtures per UL. Can be used with front glass cover

Suitable for damp locations per UL

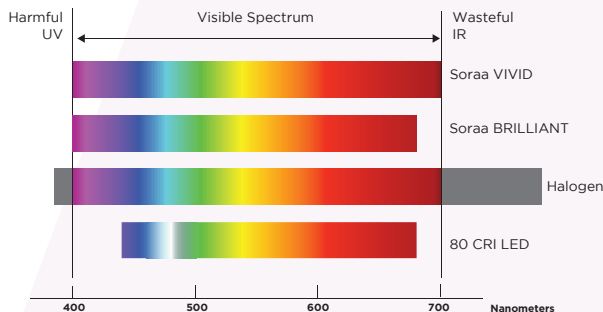
Works with trailing edge and leading edge phase cut dimmers (see www.soraa.com/resources)

INTENDED USE AND APPLICATIONS

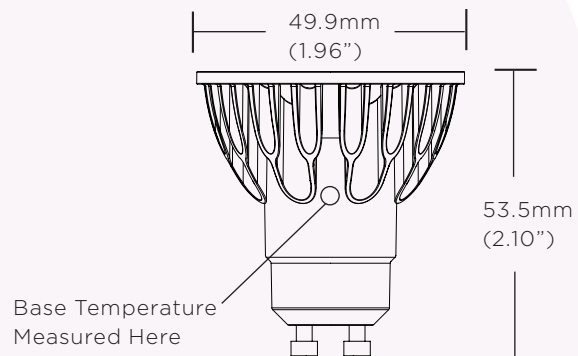
For use in GU10 compatible recessed downlights, track lighting and other indoor and outdoor applications

Soraa lamps are designed to safely shut down in any thermal environment not conducive to minimum airflow or proper ventilation

COLOR RENDERING



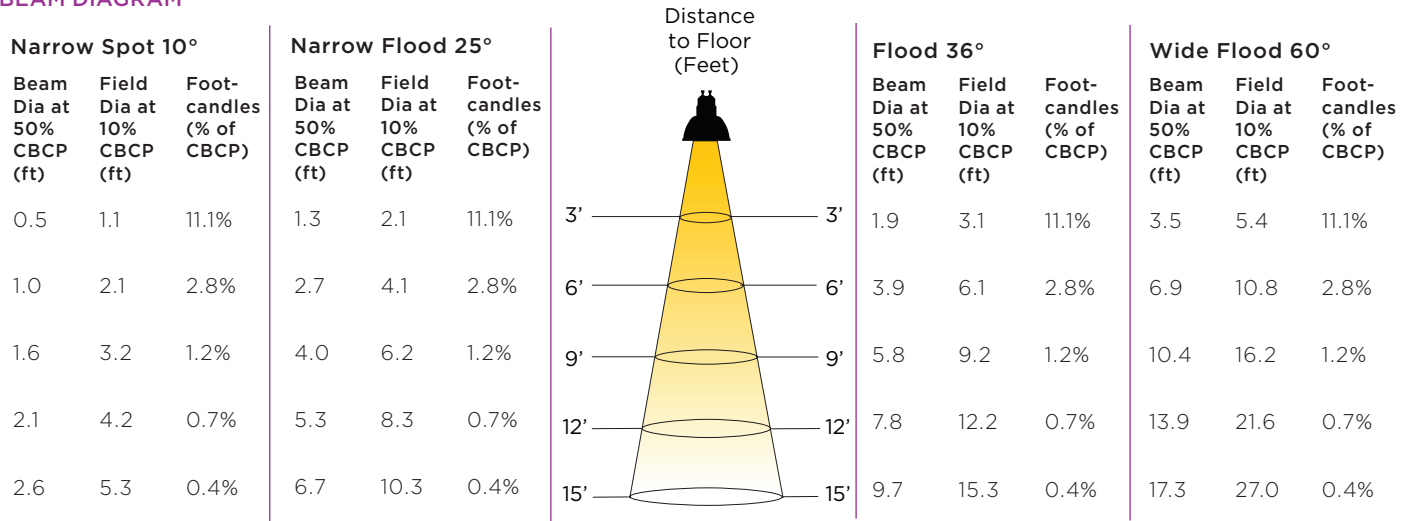
DIMENSIONS



RoHS

SORAA LED MR16 - GU10 BASE 7.5W

BEAM DIAGRAM



SPECIFICATIONS BY PART NUMBER*

| Model Number | Reference Number | Product Code | CCT (K) | Beam Angle (°) | Field Angle (°) | CBCP (Cd) | Total Flux (Lm) | Efficacy (Lm/W) | CRI/R9 | White Point (McA) |
|---|------------------------|--------------|---------|----------------|-----------------|-----------|-----------------|-----------------|---------|-------------------|
| VIVID SERIES: 50W Halogen Equivalent** | | | | | | | | | | |
| SM16GA-07-10D-927-03 ^{SNAP} | MR16-50-B03-120-927-10 | 01111 | 2700 | 10 | 20 | 5710 | 390 | 52 | 95 / 95 | 3 |
| SM16GA-07-25D-927-03 | MR16-50-B03-120-927-25 | 01123 | 2700 | 25 | 40 | 2260 | 410 | 55 | 95 / 95 | 3 |
| SM16GA-07-36D-927-03 | MR16-50-B03-120-927-36 | 01135 | 2700 | 36 | 57 | 1070 | 410 | 55 | 95 / 95 | 3 |
| SM16GA-07-60D-927-03 | MR16-50-B03-120-927-60 | 01573 | 2700 | 60 | 85 | 440 | 410 | 55 | 95 / 95 | 3 |
| SM16GA-07-10D-930-03 ^{SNAP} | MR16-50-B03-120-930-10 | 01115 | 3000 | 10 | 20 | 6000 | 410 | 55 | 95 / 95 | 3 |
| SM16GA-07-25D-930-03 | MR16-50-B03-120-930-25 | 01127 | 3000 | 25 | 40 | 2400 | 435 | 58 | 95 / 95 | 3 |
| SM16GA-07-36D-930-03 | MR16-50-B03-120-930-36 | 01139 | 3000 | 36 | 57 | 1130 | 435 | 58 | 95 / 95 | 3 |
| SM16GA-07-60D-930-03 | MR16-50-B03-120-930-60 | 01577 | 3000 | 60 | 85 | 460 | 435 | 58 | 95 / 95 | 3 |
| SM16GA-07-10D-940-03 ^{SNAP} | MR16-50-B03-120-940-10 | 01117 | 4000 | 10 | 20 | 6290 | 430 | 57 | 95 / 95 | 4 |
| SM16GA-07-25D-940-03 | MR16-50-B03-120-940-25 | 01129 | 4000 | 25 | 40 | 2510 | 455 | 61 | 95 / 95 | 4 |
| SM16GA-07-36D-940-03 | MR16-50-B03-120-940-36 | 01141 | 4000 | 36 | 57 | 1190 | 455 | 61 | 95 / 95 | 4 |
| SM16GA-07-60D-940-03 | MR16-50-B03-120-940-60 | 01579 | 4000 | 60 | 85 | 490 | 455 | 61 | 95 / 95 | 4 |
| SM16GA-07-10D-950-03 ^{SNAP} | MR16-50-B03-120-950-10 | 01119 | 5000 | 10 | 20 | 6290 | 430 | 57 | 95 / 90 | 5 |
| SM16GA-07-25D-950-03 | MR16-50-B03-120-950-25 | 01131 | 5000 | 25 | 40 | 2510 | 455 | 61 | 95 / 90 | 5 |
| SM16GA-07-36D-950-03 | MR16-50-B03-120-950-36 | 01143 | 5000 | 36 | 57 | 1190 | 455 | 61 | 95 / 90 | 5 |
| SM16GA-07-60D-950-03 | MR16-50-B03-120-950-60 | 01581 | 5000 | 60 | 85 | 490 | 455 | 61 | 95 / 90 | 5 |
| BRILLIANT SERIES: 65W Halogen Equivalent** | | | | | | | | | | |
| SM16GA-07-10D-827-03 ^{SNAP} | MR16-65-B03-120-827-10 | 01109 | 2700 | 10 | 20 | 6950 | 475 | 63 | 80 / >0 | 3 |
| SM16GA-07-25D-827-03 | MR16-65-B03-120-827-25 | 01121 | 2700 | 25 | 40 | 2760 | 500 | 67 | 80 / >0 | 3 |
| SM16GA-07-36D-827-03 | MR16-65-B03-120-827-36 | 01133 | 2700 | 36 | 57 | 1310 | 500 | 67 | 80 / >0 | 3 |
| SM16GA-07-60D-827-03 | MR16-65-B03-120-827-60 | 01571 | 2700 | 60 | 85 | 540 | 500 | 67 | 80 / >0 | 3 |
| SM16GA-07-10D-830-03 ^{SNAP} | MR16-65-B03-120-830-10 | 01113 | 3000 | 10 | 20 | 7320 | 500 | 67 | 80 / >0 | 3 |
| SM16GA-07-25D-830-03 | MR16-65-B03-120-830-25 | 01125 | 3000 | 25 | 40 | 2900 | 525 | 70 | 80 / >0 | 3 |
| SM16GA-07-36D-830-03 | MR16-65-B03-120-830-36 | 01137 | 3000 | 36 | 57 | 1370 | 525 | 70 | 80 / >0 | 3 |
| SM16GA-07-60D-830-03 | MR16-65-B03-120-830-60 | 01575 | 3000 | 60 | 85 | 560 | 525 | 70 | 80 / >0 | 3 |

*Specifications are at stable warm operating conditions (25°C ambient) **Energy Star Minimum ^{SNAP}SORAA SNAP System Compatible
 CCT = Correlated Color Temperature CRI = Color Rendering Index (Ra=8) White Point = White Point Accuracy in McA step

SAFETY NOTE ON HEAT

Although Soraa's lamps operate at cooler temperatures than halogen lamps, it is recommended that gloves be worn when handling bare lamps that have been energized.

Information and specifications subject to change. SM16GA 7W Rev 1 12.09.14

Soraa Inc. 6500 Kaiser Drive, Fremont, CA 94555
 855 GO-SORAA / 855 467-6722 www.soraa.com