

Daylight Plus™ HALOGEN PAR LAMPS



- Exclusive blue tinted lens
- Crisp, bright, white light
- Highlighted objects appear crisper and more natural
- 2,000 to 2,500 hour life
- SPL Optics
- Available in PAR20, PAR30 Long Neck and PAR38

SYLVANIA Daylight Plus™ PAR lamps offer new options for retail lighting.

These exclusive SYLVANIA halogen lamps are made with special blue lenses that make their light appear whiter than standard halogen lamps. The cool white light makes objects stand out more clearly and crisply than they would with standard halogen PAR or incandescent lamps. The result is that products appear more lively and natural.

Combining the benefits of halogen lighting with **Daylight** technology maximizes the look and feel of a space by accentuating colors in the most effective light.

The 60 Watt PAR38 CAPSYLITE **Daylight Plus** lamps have an average rated life of 2,500 hours and are available in SYLVANIA's patented SPL Optics with either 9° or 30° beam angles.

50 and 75 Watt CAPSYLITE **Daylight Plus** PAR lamps have an average rated life of 2,000 hours and are available in SYLVANIA's patented SPL Optics.

Product Availability

Lamp	Wattage	Beam Angle
PAR20	50	30° Narrow Flood
PAR30 Long Neck	50	50° Wide Flood
	75	50° Wide Flood
PAR38	50	30° Flood
	60	9° Spot, 30° Flood
	75	30° Flood

Application Information

Applications

Highlight Merchandise
Display Lighting
Hotels
Hospital Rooms / Healthcare
Restaurants
Bathrooms
Kitchens

Application Notes

1. Medium Brass Base
2. Lens Stamped with beam type

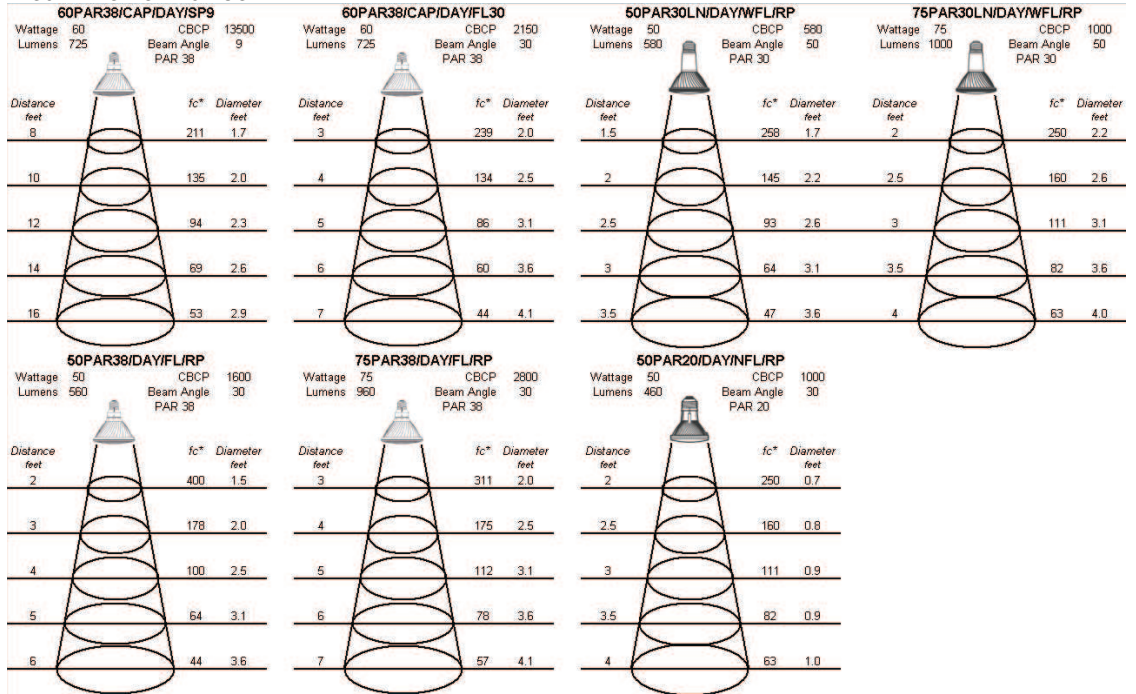
Sample Specification

Lamp shall be a SYLVANIA CAPSYLITE DAYLIGHT PLUS halogen PAR lamp with a 2,500 hour rated life and shall be constructed with a DAYLIGHT PLUS blue lens. Lamp shall have a brass base and use SPL optics. Lamp base shall contain no lead solder to make the disposal of used lamps easier for the end user.

Ordering and Specification Information

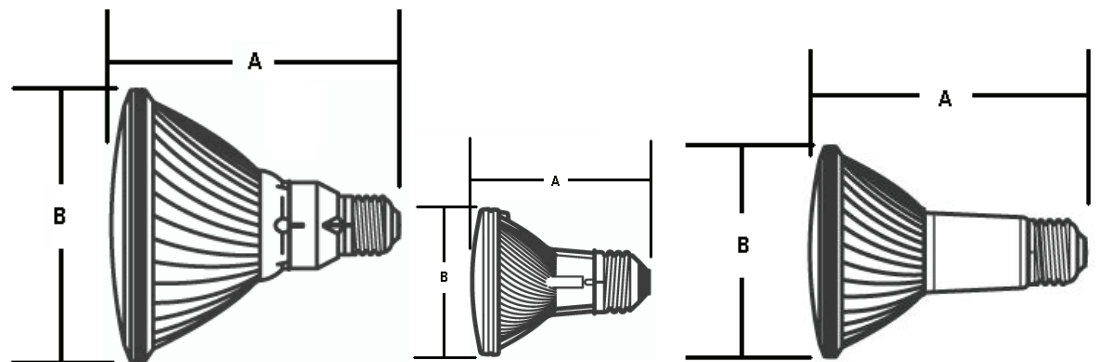
Lamp Type	Item Number	Ordering Abbreviation	Watts	Volts	Case Qty.	Base	Average Rated Life (hrs.)	Lumens	CBCP (cd)	MOL
PAR20	15226	50PAR20/DAY/NFL/RP	50	120	6	Medium	2000	460	1000	3 1/8
PAR30LN	15227	50PAR30LN/DAY/WFL/RP	50	120	6	Medium	2000	580	580	4 1/2
	15228	75PAR30LN/DAY/WFL/RP	75	120	6	Medium	2000	1000	1000	4 1/2
PAR38	15229	50PAR38/DAY/FL/RP	50	120	6	Medium	2000	560	1600	5 5/16
	15252	60PAR38/CAP/DAY/SP9	60	120	15	Medium	2500	725	13500	5 5/16
	15251	60PAR38/CAP/DAY/FL30	60	120	15	Medium	2500	725	2150	5 5/16
	15230	75PAR38/DAY/FL/RP	75	120	6	Medium	2000	960	2800	5 5/16

Beam Performance



* Approximate footcandle values

Dimensions



	PAR20	PAR30LN	PAR38
(A) MOL	3 1/8"	4 1/2"	5 5/16"
(B) Diameter	2 1/2"	3 3/4"	4 3/4"

OSRAM SYLVANIA
National Customer
Support Center
18725 N. Union Street
Westfield, IN 46074

Industrial & Commercial

Phone: 1-800-255-5042
Fax: 1-800-255-5043

National Accounts

Phone: 1-800-562-4671
Fax: 1-800-562-4674

Special Markets

Phone: 1-800-762-7191
Fax: 1-800-762-7192

In Canada
OSRAM SYLVANIA LTD.
Headquarters
2001 Drew Road
Mississauga, ON L5S 1S4

Industrial & Commercial

Phone: 1-800-263-2852
Fax: 1-800-667-6772

Special Markets

Phone: 1-800-265-2852
Fax: 1-800-667-6772

Visit our website:
www.sylvania.com

Ordering Guide

60	PAR38	CAP	DAY	FL	30
Wattage 60	Lamp Shape PAR = "Pressed Aluminized Reflector" 38 = 38/8" = 4 3/4"	CAPSYLITE	Daylight Plus	Beam Type FL = "Flood" SP = "Spot"	Beam Angle 9 30