

Product Information Bulletin

HPL ULTRA PLUS (UCF) LAMP FAMILY

High Performance Tungsten Halogen Lamps



OSRAM HPL ULTRA PLUS (UCF) –An improved product line of the HPL family of lamps designed specifically for the Source Four® series of fixtures. The HPL Ultra Plus uses OSRAM’s new Ultra Compact Filament (UCF) design for maximum efficiency and life. The unique top bridgeless construction virtually eliminates filament shadowing, allowing for crisper images than ever before.

Compact coil design with increased lumen output. Stronger seal design with solid nickel pins improve durability and prevent any breakage during installation. HPL Ultra Plus (UCF) brings increased opportunities for all stage, studio, TV and architectural applications with superior light performance and maximum efficacy. Maximizes system efficiency and life.

Application Information

- Theater, TV, Studio
- Entertainment and Architectural lighting applications
- Professional Photography
- Source Four® series of Ellipsoidal, PAR, and PARNeI fixtures.

Life (X) - extended life version lamps (1000 to 2000 hrs. average rated life) are ideal for architectural applications where lamps are operated for extended periods which reduces change-outs during continuous performances.

* HPL Series of lamps – design patented by ENTERTEC, Inc.

* Source Four is a registered trademark of Electronic Theatre Controls, Inc.

- Ultra Compact Filament design (UCF) for high lumen output
- Four / six compact tungsten coil segments (Square and hexagonal)
- Optimum system performance
- Reinforced pinch seal for extra mechanical resistance
- Unique top bridgeless construction improves light uniformity for maximum light collection
- Special heat sink base
 - 1) Works well in high temperature applications
 - 2) Suited for high humidity applications
 - 3) Reduces seal temperature maximizing life and ensuring proper lamp alignment
 - 4) Smooth finish
 - 5) Low heat load to the socket
- Unique gas fill – improves light output and minimizes risk of arc-out
- **New HPL 575/240/X and 750/240/X**
- OSRAM TP22H socket is available. Fits all generations of ETC Source Four® fixtures.



Product Availability

Product Number	Lamp Description	Rated wattage (W)	Rated voltage (V)	Average Rated life (hrs)
54625	HPL 375/115	375	115	300
54649	HPL 375/115/X	375	115	1,000
54623	HPL 550/77	550	77	300
54604	HPL 550/77/X	550	77	2,000
54622	HPL 575/115	575	115	300
54807	HPL 575/115/X	575	115	2,000
54817	HPL 575/120	575	120	300
54815	HPL 575/120/X	575	120	2,000
54618	HPL 575/230	575	230	400
54665	HPL 575/230/X	575	230	1500
54619	HPL 575/240	575	240	400
54703	HPL 575/240/X	575	240	1500
54825	HPL 750/77	750	77	300
54602	HPL 750/115	750	115	300
54611	HPL 750/115/X	750	115	1,500
54605	HPL 750/120	750	120	300
54653	HPL 750/120/X	750	120	2,000
54603	HPL 750/230	750	230	300
54670	HPL 750/230/X	750	230	1,500
54614	HPL 750/240	750	240	300
54704	HPL 750/240/X	750	240	1500

Lamp Ordering and Specification Information

Specification

Lamps shall have a color temperature of 3,050 to 3,250K, operated with various volts of 77V to 240V and have life of 300 to 2,000hrs long life versions with complete warranty from the lamp manufacturer.

Product Number	Ordering Abbreviation	Rated wattage (W)	Rated voltage (V)	Luminous flux (lm)	Color temperature (K)	Average Rated life (hrs)	Coil	Bulb	LCL a (mm)	MOL l (mm)	Diameter d (mm)
54625	HPL 375/115	375	115	10540	3250	300	4-C8	T-6	60.3	98	19
54649	HPL 375/115/X	375	115	8000	3050	1000	4-C8	T-6	60.3	98	19
54623	HPL 550/77	550	77	16170	3250	300	4-C8	T-6	60.3	98	19
54604	HPL 550/77/X	550	77	12160	3050	2000	4-C8	T-6	60.3	98	19
54622	HPL 575/115	575	115	16520	3250	300	4-C8	T-6	60.3	98	19
54807	HPL 575/115/X	575	115	12360	3050	2000	4-C8	T-6	60.3	98	19
54817	HPL 575/120	575	120	16520	3250	300	4-C8	T-6	60.3	98	19
54815	HPL 575/120/X	575	120	12360	3050	2000	4-C8	T-6	60.3	98	19
54618	HPL 575/230	575	230	14900	3200	400	6-C8	T-6	60.3	98	19
54665	HPL 575/230/X	575	230	11780	3050	1500	6-C8	T-6	60.3	98	19
54619	HPL 575/240	575	240	14900	3200	400	6-C8	T-6	60.3	98	19
NEW 54703	HPL 575/240/X	575	240	11780	3050	1500	6-C8	T-6	60.3	104	19
54825	HPL 750/77	750	77	22950	3250	300	4-C8	T-6	60.3	98	19
54602	HPL 750/115	750	115	21900	3250	300	4-C8	T-6	60.3	104	19
54611	HPL 750/115/X	750	115	16400	3050	1500	4-C8	T-6	60.3	104	19
54605	HPL 750/120	750	120	21900	3250	300	4-C8	T-6	60.3	104	19
54653	HPL 750/120/X	750	120	16400	3050	2000	4-C8	T-6	60.3	104	19
54603	HPL 750/230	750	230	19750	3200	300	6-C8	T-6	60.3	104	19
54670	HPL 750/230/X	750	230	15600	3050	1500	6-C8	T-6	60.3	104	19
54614	HPL 750/240	750	240	19750	3200	300	6-C8	T-6	60.3	104	19
NEW 54704	HPL 750/240/X	750	240	15600	3050	1500	6-C8	T-6	60.3	104	19

OSRAM SYLVANIA
National Customer Sales
and Service Center
18725 N. Union Street
Westfield, IN 46074

Display/Optic

Phone: 1-888-677-2627
Fax: 1-800-762-7192

Industrial & Commercial

Phone: 1-800-255-5042
Fax: 1-800-255-5043

National Accounts

Phone: 1-800-562-4671
Fax: 1-800-562-4674

Special Markets

Phone: 1-800-762-7191
Fax: 1-800-762-7192

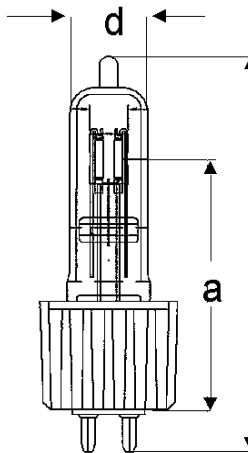
In Canada
OSRAM SYLVANIA LTD.
Headquarters
2001 Drew Road
Mississauga, ON L5S 1S4

Industrial & Commercial

Phone: 1-800-263-2852
Fax: 1-800-667-6772

Special Markets

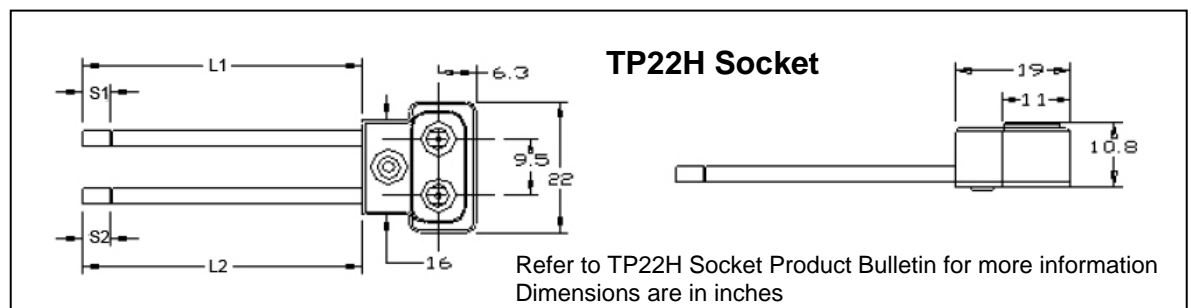
Phone: 1-800-265-2852
Fax: 1-800-667-6772



Base: Medium 2 pin with heat sink (all lamps)
Operating position: any (all lamps)
Case quantity: 12/case (all lamps)

Ordering Guide

HPL	375	/	115	/	X
High Performance Lamp	Wattage: 375, 550, 575 or 750 watts		Rated Voltage: 77, 115, 120, 230 or 240		Long Life Version



Visit our website:
www.sylvania.com