

Flame Tip Shaped Cold Cathode Lamps

25,000 Hours
average rated life

Applications:

Ideal for dimmable fixtures.

Replaces Incandescent for:

- + Accent Lighting
- + Chandeliers
- + Decorative
- + Sanctuaries
- + Theaters

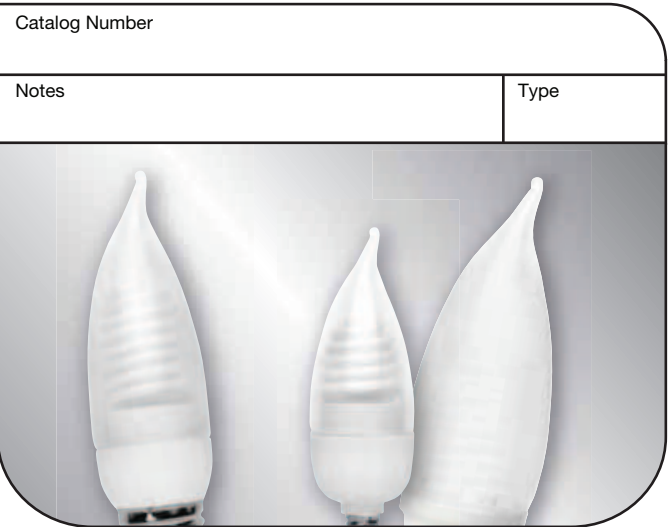
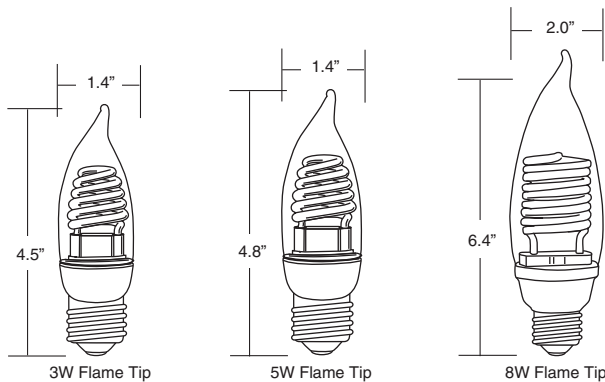


Special Application Options: (Ordering Suffix)

- 4100K (41K)
- Bulk Packed (BULK100)
- Tip Base (PERM)

Features and Benefits

- Long life: 25,000 hours.
- Cold Cathode lamps are excellent for dimming and rapid cycling applications.
- Special phosphor coating procedure provides excellent color consistency.
- Color coating is resistant to fading and the effects of UV.
- Replaces 15W to 40W incandescent lamps, saving up to 25 watts/bulb.
- Available in E26 or Candelabra base.



Specifications (at full brightness)

Ballast Type	Electronic
Input Line Voltage	120VAC
Input Line Frequency	50/60HZ
Lamp Life (rated)	25,000 Hours
Color Temperature	2700°K or 4100°K
Color Rendering Index	82
Minimum Starting Temperature	-20°F, -29°C
Maximum Operating Temperature	160°F, 71°C
U.L. / C.U.L. Listed	Yes – E149698
FCC Compliance	Patt 18, Subpart C
Lamp Operating Frequency	45 KHZ
Lamp Current Crest Factor	<1.60
Total Harmonic Distortion	<33%
High Power Factor Rated	>.90

Special Application Notes

- UL approved for wet location in Base Up position only. Base Up position is defined as screw base in a 12:00 position. Any other base position must be in a UL approved weatherproof fixture.

Warranties and Certifications:	Item #	Wattage	Description	Lamp Shape	M.O.L. (inches)	Diameter (inches)	Input Line Current	Initial Lumens	Base Type
 2 YEAR WARRANTY TCP reserves the right to void the warranty for any mis-application of these products.	8TF03CL	3	Cold Cathode Flame Tip, Clear	Flame Tip	4.5	1.4	.026A	120	E26
	8TF03F	3	Cold Cathode Flame Tip, Frost	Flame Tip	4.5	1.4	.026A	120	E26
	8TF03LV	3	Cold Cathode Flame Tip, LV	Flame Tip	4.5	1.4	.026A	115	E26
	8TF03WH	3	Cold Cathode Flame Tip, White	Flame Tip	4.5	1.4	.026A	120	E26
	8TF05CL	5	Cold Cathode Flame Tip, Clear	Flame Tip	4.8	1.4	.044A	200	E26
	8TF05F	5	Cold Cathode Flame Tip, Frost	Flame Tip	4.8	1.4	.044A	200	E26
	8TF05LV	5	Cold Cathode Flame Tip, LV	Flame Tip	4.8	1.4	.044A	190	E26
	8TF05WH	5	Cold Cathode Flame Tip, White	Flame Tip	4.8	1.4	.044A	200	E26
	8TF08CL	8	Cold Cathode Flame Tip, Clear	Flame Tip	6.4	2.0	.074A	300	E26
	8TF08F	8	Cold Cathode Flame Tip, Frost	Flame Tip	6.4	2.0	.074A	300	E26
	8TF08LV	8	Cold Cathode Flame Tip, LV	Flame Tip	6.4	2.0	.074A	280	E26
	8TF08WH	8	Cold Cathode Flame Tip, White	Flame Tip	6.4	2.0	.074A	300	E26