



## Blazer 45W LED Wall Pack

Catalog Number TCPBLAZER50

Notes

Type



### Blazer 45W LED Wall Pack

**Installation**

Wall mounted.  
Before installation, please consult your local ordinances and building codes for compliance.

**Warranty**

Five years against defects in manufacturing.

**Listing**

Driver is UL listed  
(UL Wet Location pending)

### Application

TCP's Blazer line of LED wall packs are designed for applications that require clean lighting with a long life and low maintenance requirement. Applications include overnight security lighting for buildings, entrance lighting, and overhead door lighting.

### Description

The Blazer 45 watt wall pack is a more efficient alternative to metal halide, high pressure sodium, and fluorescent wall packs. This LED wall pack is perfect for hard to reach areas that require clean lighting.

### Construction

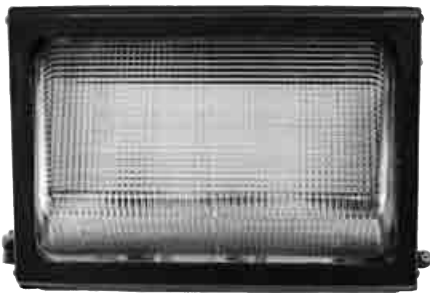
The Blazer 45 watt wall pack uses 20 High Power LumiLED Rebel LEDs. It is constructed from die cast aluminum with a durable brown powder coat finish. The Blazer 45 watt wall pack also features an impact resistant non-yellowing lens for maximum light output over the life of the luminaire. It is 7" tall by 14" wide and 9" deep. It has an IP65 weather rating.

### Electrical

The driver is UL listed, has a power factor of 0.99, and an input voltage of 120-277 VAC (50/60 Hz). The Luminaire is rated at 45 watts, with a THD of less than 10%. Electrical protections include OVP, OCP, SCP, and OTP.

### Performance

- LED Life: 50,000 hrs
- CCT: White 5500°K (Other color temperatures available upon request)
- CRI: 71
- Total Lumen Output: 1802 (LM-63-02 Test Procedure)
- Lumens Per Watt: 40
- Operating Temperature: -20°F ~ 140°F



Front View



Side View

**TCP, Inc.**

325 Campus Dr. | Aurora, Ohio 44202 | P: 800-324-1496 | tcp.com

©TCP, Inc. 2012/47169

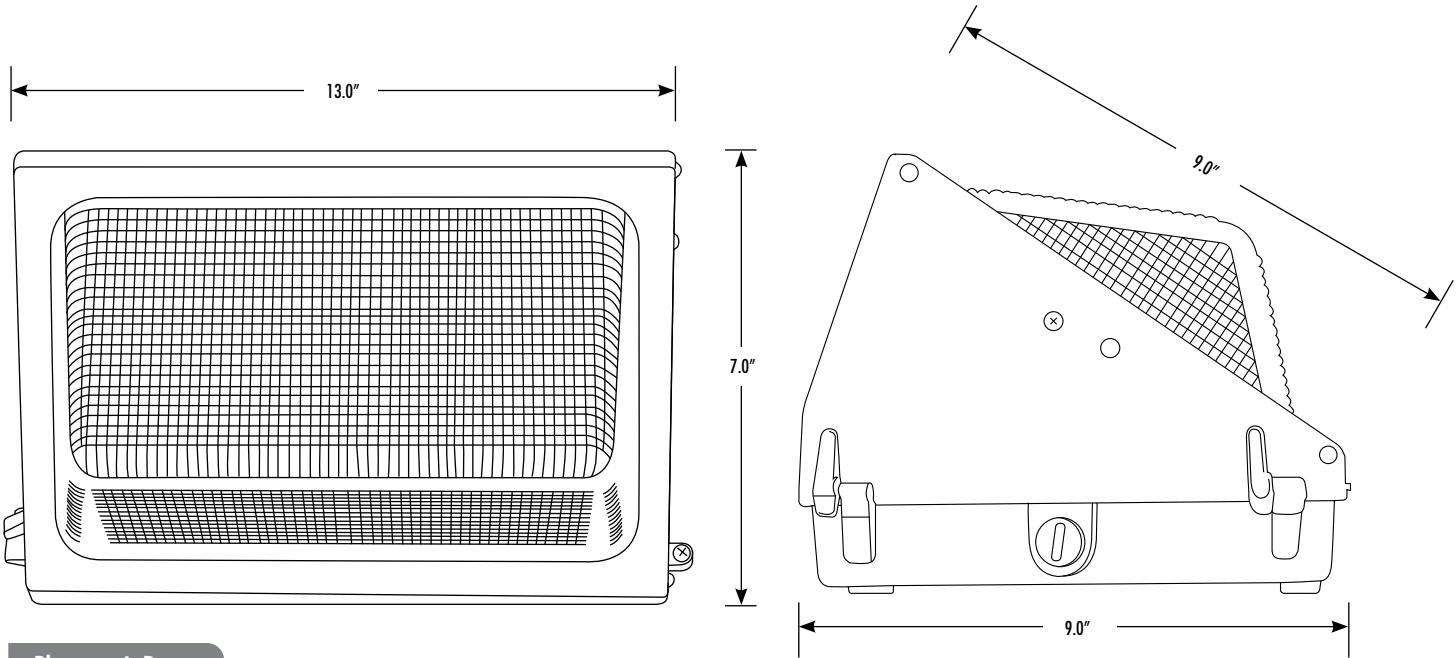
TCP is proud to have been awarded ENERGY STAR® Partner of the Year 2010.



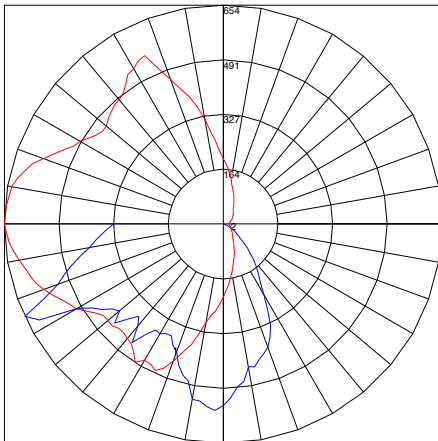


# Blazer 45W LED Wall Pack

## Dimensions & Construction



## Photometric Report



Maximum Candela = 654.11 Located At Horizontal Angle = 180, Vertical Angle = 65  
 # 1 - Vertical Plane Through Horizontal Angles (180 - 0) (Through Max. Cd.)  
 # 2 - Horizontal Cone Through Vertical Angle (65) (Through Max. Cd.)

### Candela Distribution

Effective Floor Cavity Reflectance 0.20

RC	80				70				50			30			10			0
RW	70	50	30	10	70	50	30	10	50	30	10	50	30	10	50	30	10	0
0	119	119	119	119	116	116	116	116	111	111	111	106	106	106	102	102	102	100
1	105	99	93	88	102	97	92	87	92	88	84	88	85	81	84	82	79	77
2	94	84	76	69	92	82	75	68	79	72	67	75	70	65	72	68	64	61
3	85	73	64	56	83	71	63	56	68	61	55	65	59	53	63	57	53	50
4	78	64	54	47	75	63	54	46	60	52	46	58	51	45	55	49	44	42
5	71	57	47	40	69	56	47	40	54	45	39	52	44	39	50	43	38	36
6	66	51	41	34	64	50	41	34	48	40	34	47	39	34	45	38	33	31
7	61	46	37	30	59	45	36	30	44	36	30	42	35	30	41	34	29	27
8	57	42	33	27	55	41	33	27	40	32	27	39	32	26	38	31	26	24
9	53	39	30	24	51	38	30	24	37	29	24	36	29	24	35	28	24	22
10	50	36	27	22	48	35	27	22	34	27	22	33	26	22	32	26	21	20

### Zonal Lumen Summary

Zone	Lumens	% Fixt.
0-30	394.05	21.90
0-40	647.13	35.90
0-60	1182.35	65.60
0-90	1801.68	100.00
90-120	0.00	0.00
90-130	0.00	0.00
90-150	0.00	0.00
90-180	0.00	0.00
0-180	1801.68	100.00
Total Luminaire Efficiency = N.A.%		

### Luminance Data in Candela/Square Meter

Angle	0.0	45.0	90.0
45°	9377	18637	45490
55°	5422	10814	39673
65°	2743	6484	29941
75°	1277	4830	22815
85°	1080	7115	21166

### Photometric Report

Total Input Watts (120V)	44.8
Luminaire Efficacy Rating (LER)	40%
Spacing Criterion (0-180)	0.88
Spacing Criterion (90-270)	1.56