

Elite High Bay T8/T5HO Quick Ship

Catalog Number

Notes

Type



Application

The Elite's superior lumen package is ideal for replacing traditional metal halide high bay systems. Benefits include high efficiency, 95% lumen maintenance, improved color rendering, extended lamp life, multi-level switching, instant on, dimming and improved uniformity. Suggested mounting heights from 15' - 40' with primary applications including "Big Box" retail, warehousing, commercial facilities, manufacturing facilities, open and stack aisle applications.

Description

The full body assembly accommodates multiple optics utilizing either T5HO or T8 lamps. The Elite's heavy duty 20 gauge housing exceeds code gauge steel and all components are post painted with a glossy, high reflectance white paint. Sockets include secure positioning rotating collars.

Reflector Optics

The superior beam spread optic covers from narrow aisle lighting to open area general lighting. The Elite is available using a 95% reflectance specular aluminum (SA) Miro[®]4 which has a 25 year warranty.

Electrical

All ballasts are class P rated, UL/CUL listed, and CEE approved. Our ballasts are also thermally protected, sound rated and tightly secured by mounting bolts.

Finish

The baked white enamel finish is electrostatically applied and post painted with a glossy, highly reflective and durable white paint.

Elite Fluorescent High Bay T8/T5HO Quick Ship

Maintenance

No tools required for lamp and ballast access.

Installation

Suspension by chain, cable, hook or monopoint with appropriate accessories.

Warranty

One year warranty against defect in manufacturing.

Listing

UL/CUL Listed - Suitable for damp locations.

SKU's Available

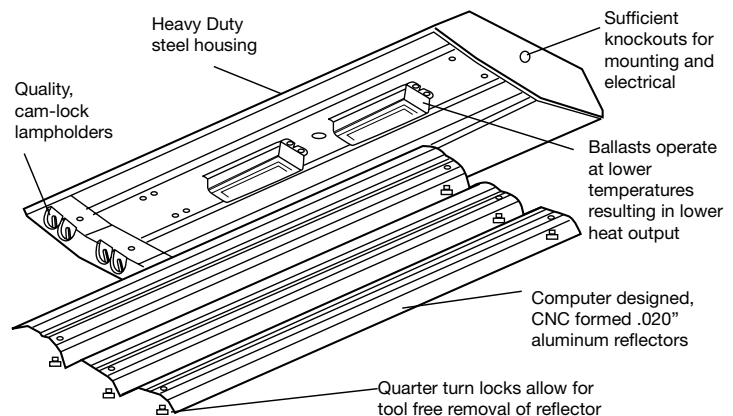
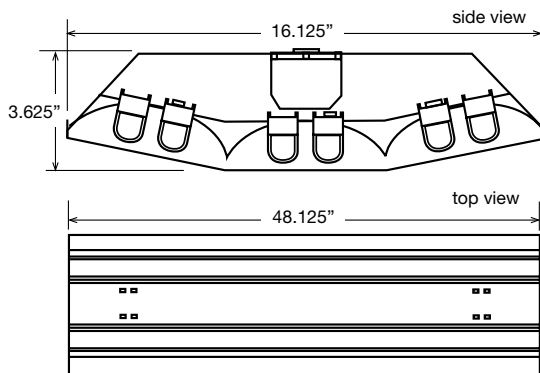
PART

EL4SA432UNIH10CSPF
EL4SA454UNIV10CSPF
EL4SA632UNIH10CSPF
EL4SA654UNIV10CSPF

DESCRIPTION

Elite Miro4 4' 32w T8 4-Lamp HBF with 10' cord only and single packed
Elite Miro4 4' 54w T5HO 4-Lamp with 10' cord only and single packed
Elite Miro4 4' 32w T8 6-Lamp HBF with 10' cord only and single packed
Elite Miro4 4' 54w T5HO 6-Lamp with 10' cord only and single packed

Dimensions & Construction



Elite High Bay T8/T5HO Quick Ship

Photometric Report

EL4SA432UNIH10CSPF | Elite Miro4® 4' 32w T8 4-Lamp HBF with 10' cord only and single packed

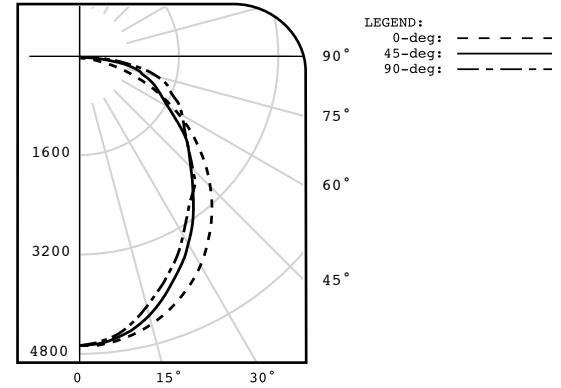
Zonal Lumen Summary

Zone	Lumens	% Lamp	% Fixt.
0-30	3445	25.4	27.4
0-40	5494	40.5	43.7
0-60	9412	69.4	74.9
0-90	12512	92.2	99.6
90-180	47	0.3	0.4
0-180	12559	92.5	100.0

Total Luminaire Efficiency = 92.5%

Photometric Report

Plane	0-Deg	90-Deg
Spacing Criterion	1.2	1.1
Shielding Angles	1	0
Luminous Length	48.125	16.125



EL4SA454UNIV10CSPF | Elite Miro4® 4' 54w T5HO 4-Lamp with 10' cord only and single packed

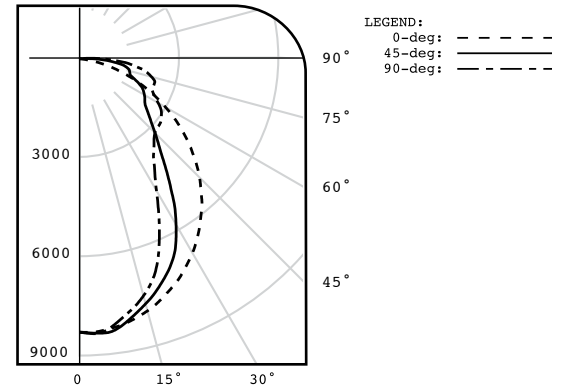
Zonal Lumen Summary

Zone	Lumens	% Lamp	% Fixt.
0-30	5993	30.0	30.7
0-40	9149	45.7	46.8
0-60	14696	73.5	75.2
0-90	19442	97.2	99.5
90-180	93	0.5	0.5
0-180	19535	97.7	100.0

Total Luminaire Efficiency = 97.7%

Photometric Report

Plane	0-Deg	90-Deg
Spacing Criterion	1.2	1.0
Shielding Angles	1	0
Luminous Length	48.125	16.125



EL4SA632UNIH10CSPF | Elite Miro4® 4' 32w T8 6-Lamp HBF with 10' cord only and single packed

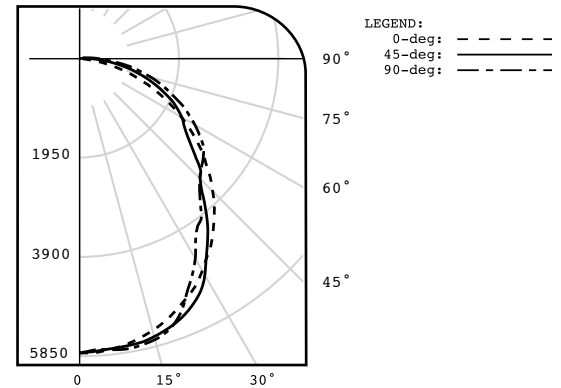
Zonal Lumen Summary

Zone	Lumens	% Lamp	% Fixt.
0-30	4538	25.2	32.3
0-40	7274	40.4	51.0
0-60	12475	69.3	84.3
0-90	16274	90.4	100.0
90-180	111	0.6	0.0
0-180	16386	91.0	100.0

Total Luminaire Efficiency = 91.0%

Photometric Report

Plane	0-Deg	90-Deg
Spacing Criterion	1.2	1.2
Shielding Angles	1	0
Luminous Length	48.125	16.125



EL4SA654UNIV10CSPF | Elite Miro4® 4' 54w T5HO 6-Lamp with 10' cord only and single packed

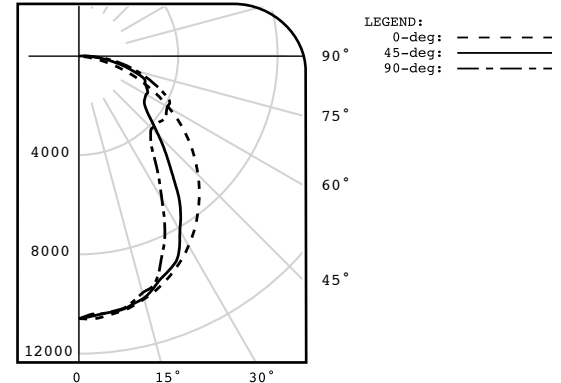
Zonal Lumen Summary

Zone	Lumens	% Lamp	% Fixt.
0-30	7928	29.7	27.7
0-40	12257	45.9	44.4
0-60	19845	74.3	76.1
0-90	25891	97.0	99.3
90-180	58	0.2	0.7
0-180	25949	97.2	100.0

Total Luminaire Efficiency = 97.2%

Photometric Report

Plane	0-Deg	90-Deg
Spacing Criterion	1.2	1.0
Shielding Angles	1	0
Luminous Length	48.125	16.125



Photometric Data by Independent Testing Lab. ITL Boulder.