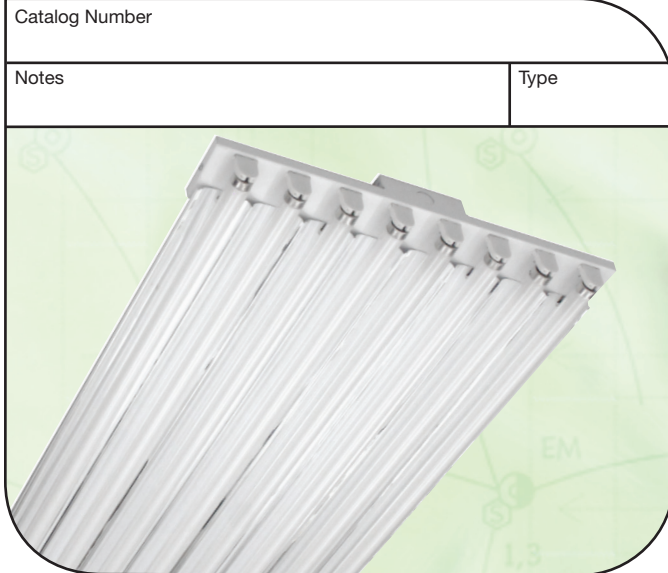




Modified Green Hi-Bay T8/T5 Quick Ship



Catalog Number

Notes

Type

Green Hi-Bay T5 and T8 Series

Maintenance

No tools required for lamp and ballast access.

Installation

Suspension by chain, cable, or hook with appropriate accessories.

Warranty

One year warranty against defect in manufacturing.

Listing

UL/CUL Listed - Suitable for damp locations.

Application

The Modified Green Hi-Bay's superior lumen package is ideal for replacing traditional metal halide high bay systems. Benefits include high efficiency, 95% lumen maintenance, improved color rendering, extended lamp life, instant on, and improved uniformity. Suggested mounting heights from 15' – 30' with primary applications including warehousing, commercial facilities, manufacturing facilities, open and stack aisle applications.

Description

The fixture was designed for optimum performance utilizing either T5 or T8 lamps. A more efficient alternative to 400 watt metal halide lamps. The Modified Green Hi-Bay's heavy duty frame is composed of a 20 gauge steel back bone and end caps that are post painted with a glossy, high reflectance white paint. Sockets include secure positioning rotating collars.

Reflector Optics

The superior beam spread optic covers from narrow aisle lighting to open area general lighting. The Modified Green Hi-Bay is available using a 92% reflective aluminum (RA).

Electrical

All ballasts are class P rated, UL/CUL listed, and CEE approved. Our ballasts are also thermally protected, sound rated and tightly secured by mounting bolts.

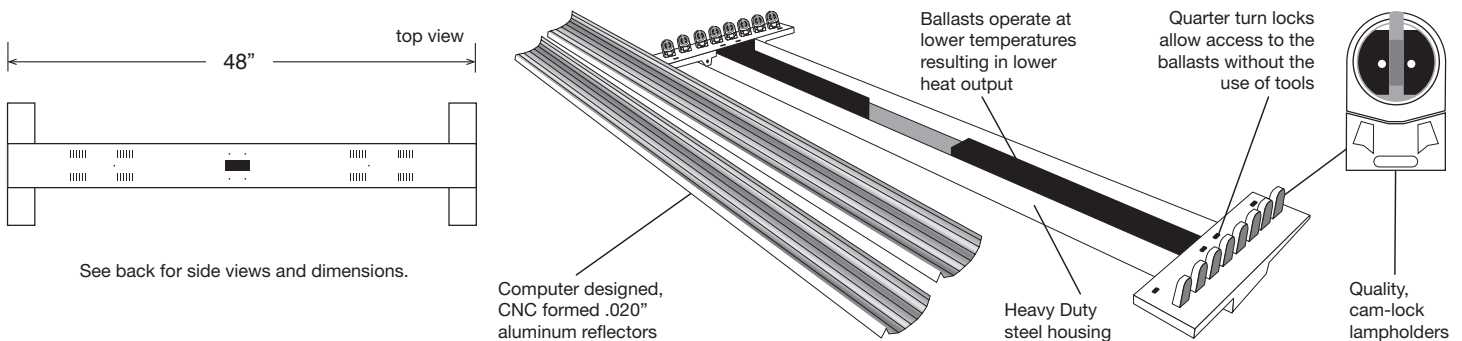
Finish

The baked white enamel finish is electrostatically applied and post-painted with a glossy, highly reflective and durable paint.

SKU's Available

PART #	DESCRIPTION
MG4RA432UNIH10CSPF	Modified Green Hi Bay 4' 32w T8 4-Lamp HBF with 10' cord only and single packed
MG4RA454UNIV10CSPF	Modified Green Hi Bay 4' 54w T5HO 4-Lamp with 10' cord only and single packed
MG4RA632UNIH10CSPF	Modified Green Hi Bay 4' 32w T8 6-Lamp HBF with 10' cord only and single packed
MG4RA654UNIV10CSPF	Modified Green Hi Bay 4' 54w T5HO 6-Lamp with 10' cord only and single packed
MG4RA832UNIH10CSPF	Modified Green Hi Bay 4' 32w T8 8-Lamp HBF with 10' cord only and single packed
MG4RA854UNIV10CSPF	Modified Green Hi Bay 4' 54w T5HO 8-Lamp with 10' cord only and single packed
TCPYH00KX10FT	Y-Hook 10' Hanging Kit (optional, order separately)
TCPYH00KX20FT	Y-Hook 20' Hanging Kit (optional, order separately)

Dimensions & Construction



TCP, Inc.

325 Campus Dr. | Aurora, Ohio 44202 | P: 800-324-1496 | tcp.i.com

©TCP, Inc. 2011/45875

TCP is proud to have been awarded ENERGY STAR® Partner of the Year 2010.





Modified Green Hi-Bay T8/T5 Quick Ship

Photometric Report

MG4RA432UNIH10CSPF | Modified Green Hi Bay 4' 32w T8 4-Lamp HBF with 10' cord only and single packed

Zonal Lumen Summary				Photometric Report			Side View Dimensions
Zone	Lumens	% Lamp	% Fixt.	Plane	0-Deg	90-Deg	
0-30	2396	20.3	22.5	Spacing Criterion	1.23	1.54	
0-40	4059	34.4	38.1	Shielding Angles	1	0	
0-60	7534	63.8	70.8	Luminous Length	46.32	9.96	
0-90	10294	87.2	96.7				
90-180	346	2.9	3.3				
0-180	10640	90.2	100.0				
Total Luminaire Efficiency = 90%							

MG4RA454UNIV10CSPF | Modified Green Hi Bay 4' 54w T5HO 4-Lamp with 10' cord only and single packed

Zonal Lumen Summary				Photometric Report			Side View Dimensions
Zone	Lumens	% Lamp	% Fixt.	Plane	0-Deg	90-Deg	
0-30	3955	22.2	24.4	Spacing Criterion	1.2	1.1	
0-40	6278	35.3	38.7	Shielding Angles	1	0	
0-60	10945	61.5	67.5	Luminous Length	44.28	6	
0-90	15483	87.0	95.5				
90-180	730	4.1	4.5				
0-180	16213	91.1	100.0				
Total Luminaire Efficiency = 91%							

MG4RA632UNIH10CSPF | Modified Green Hi Bay 4' 32w T8 6-Lamp HBF with 10' cord only and single packed

Zonal Lumen Summary				Photometric Report			Side View Dimensions
Zone	Lumens	% Lamp	% Fixt.	Plane	0-Deg	90-Deg	
0-30	3848	21.7	23.6	Spacing Criterion	1.24	1.57	
0-40	6518	36.8	39.9	Shielding Angles	1	0	
0-60	11946	67.5	73.2	Luminous Length	46.32	15	
0-90	16068	90.8	98.4				
90-180	262	1.5	1.6				
0-180	16330	92.3	100.0				
Total Luminaire Efficiency = 92%							

MG4RA654UNIV10CSPF | Modified Green Hi Bay 4' 54w T5HO 6-Lamp with 10' cord only and single packed

Zonal Lumen Summary				Photometric Report			Side View Dimensions
Zone	Lumens	% Lamp	% Fixt.	Plane	0-Deg	90-Deg	
0-30	6048	22.7	25.2	Spacing Criterion	1.2	1.1	
0-40	9567	35.8	39.9	Shielding Angles	1	0	
0-60	16625	62.3	69.3	Luminous Length	44.28	9	
0-90	23182	86.8	96.7				
90-180	801	3.0	3.3				
0-180	23983	89.8	100.0				
Total Luminaire Efficiency = 90%							

Photometric Data by Independent Testing Lab. ITL Boulder.

TCP, Inc.

325 Campus Dr. | Aurora, Ohio 44202 | P: 800-324-1496 | tcp.com

©TCP, Inc. 2011/45875

TCP is proud to have been awarded
ENERGY STAR® Partner of the Year 2010.

