

Wet Location Fluorescent T5

Application

The Wet Location fixture is IP65 and IP67 rated, dust and moisture-resistant, making it ideal for harsh environments where humidity or moisture is present. Primary applications include:

- Food processing facilities
- Kitchens
- Public Areas
- Subways
- Schools
- Parking garages
- Gas Stations
- Government facilities
- Industrial facilities

Description

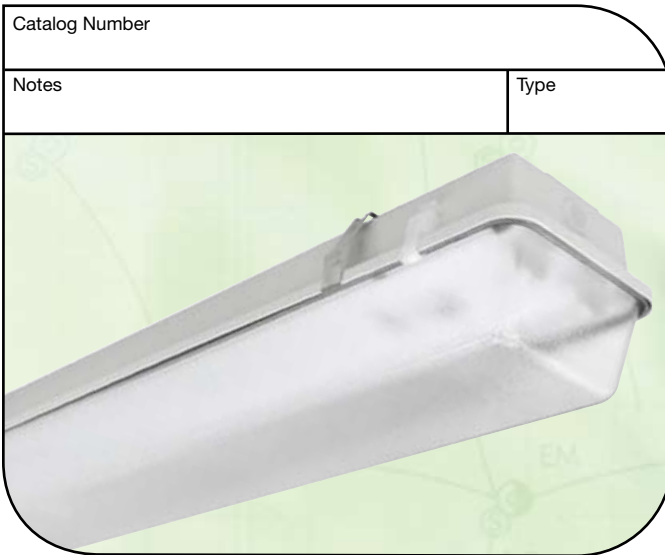
The full body assembly accommodates T5 lamps. The gasketed enclosure is constructed of a fiberglass upper body and acrylic diffuser, with a continuous poured gasket. The diffuser and upper components are locked by retaining latches, which ensures a tight seal. Sockets include secure positioning rotating collars.

Reflector Optics

The superior beam spread optics are ideal for an open area general lighting. The Wet Location fixture comes standard with a white channel cover (WA), and is available using a 95% reflectance specular aluminum (SA) Miro[®]4 reflector, which has a 25 year warranty.

Electrical

All ballasts are class P rated and UL/CUL listed. Our ballasts are also thermally protected, sound rated and tightly secured by mounting bolts.



Wet Location Fluorescent T5 Series

Maintenance

No tools required for lamp and ballast access.

Installation

Suspension by chain, cable or hook with appropriate accessories.

Warranty

One year warranty against defect in manufacturing.

Listing

UL/CUL Listed - Suitable for damp locations.

Catalog Ordering Matrix

Family	Reflector Distribution	Lamp Quantity	Lamp Type	Voltage	Ballast Factor	Specific Ballast	Options
WL4 - 4' Wet Location	WA - Wide Distribution	1 (4' Fixture Only)	54 - (T5HO 54W)	UNI - (120-277)	V - (T5HO)	Leave Blank - (TCP)	(See Below)
WL8 - 8' Wet Location	SA - Narrow Distribution	2 (4' or 8' Fixture) 3 (4' Fixture Only) 4 (8' Fixture Only) 6 (8' Fixture Only)		347 480		GE - (GE) ADV - (Advance) ULT - (Universal) SYL - (Sylvania) Must provide ballast part number on order for specific ballast	

OPTIONS

Power Cords

2P - 120V, 15A, 8' Power cord w/ straight blade plug
3P - 120V, 15A, 8' Power cord w/ twist lock plug
4T - 120V, 20A, 10' Power cord w/ twist lock plug
11P - 208V, 15A, 8' Power cord w/ straight blade plug
9T - 208V, 20A, 8' Power cord w/ twist lock plug
8P - 277V, 20A, 8' Power cord w/ straight blade plug
10P - 277V, 20A, 15' Power cord w/ straight blade plug
10T - 277V, 15A, 10' Power cord w/ twist lock plug
10T2 - 277V, 20A, 10' Power cord w/ twist lock plug
6C - 120V-300V rated 6' Power cord only. No plug
10C - 120V-300V rated 10' Power cord only. No plug
10C6 - 120V-600V rated 10' Power cord only. No plug
20C - 120V-300V rated 20' Power cord only. No plug
6W - 600V rated 6' flexible metal conduit fixture whip
6C4 - 120V-300V 6' Power cord only, 4 wire. No plug
20C4 - 120V-300V 20' Power cord only, 4 wire. No plug
8T - 480V, 20A, 8' Power cord w/ L8-20 twist lock plug

Occupancy Sensors

OSWL3 - Occupancy sensor w/ bracket for Wet Location, Low Bay
OSWL4 - Occupancy sensor w/ bracket for Wet Location, High Bay

Use a program rapid start ballast with occupancy sensor. EcoVations is not responsible for lamps failing prematurely due to an occupancy sensor being used with an instant start ballast.

Emergency Ballasts

20BL5 - TCP 800 LMS 90 min (T5)
20BL6 - TCP 1350 LMS 90 min (T5)
BL5 - 700 LMS 90 min (T5)
BL6 - 1250 LMS 90 min (T5)

Emergency Ballast Notes:

Orders with an emergency ballast must include what voltage is to be used (i.e. 120V) in the part number. See Emergency Ballast Spec Sheets for details.

Lamps Installed in Job Pack

830 - T5
835 - T5
841 - T5
850 - T5
865 - T5

Mounting

Supplied with a stainless steel mounting bracket.

Special Mounting

EZHANGER - 15' adjustable aircraft cable hanging kit
12Pendantkit - Mounting kit for 1/2" pendants
34Pendantkit - Mounting kit for 3/4" pendants
LHKIT - Single Point Hook Mounting Kit complete

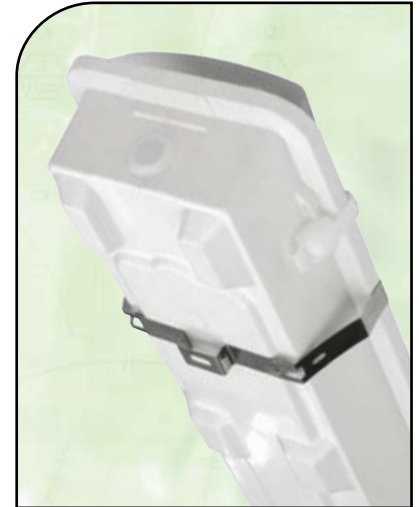
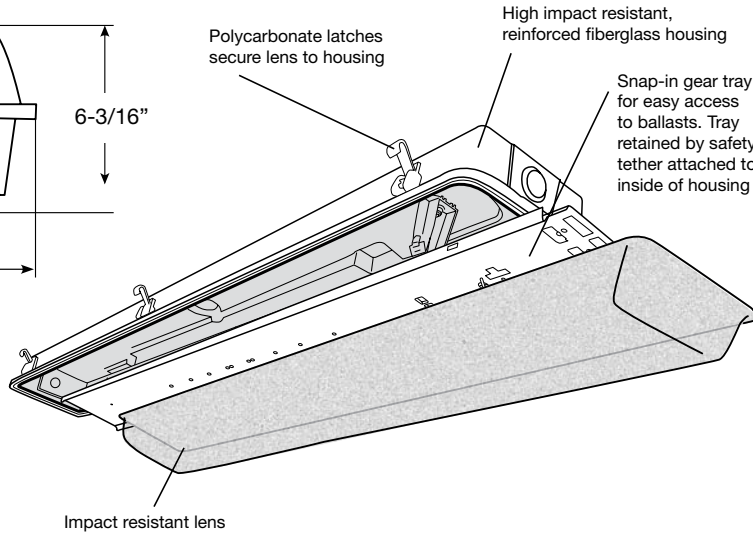
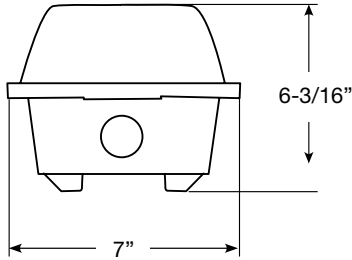
EcoVations will install supplied modular wire cords

† If a desired lamp and/or ballast is needed in an EcoVations linear fluorescent fixture, please provide a spec sheet when consulting with your local sales rep. The sales rep will provide a price to use the desired lamp and/or ballast.

Wet Location Fluorescent T5

Dimensions & Construction

side view



Photometric Report

48" Wet Location Fixture, 3 - 54w

EcoVations Gasketed Luminaire with 3 - 54w lamps, lumen rating 5000 LMS.

Photometric Report

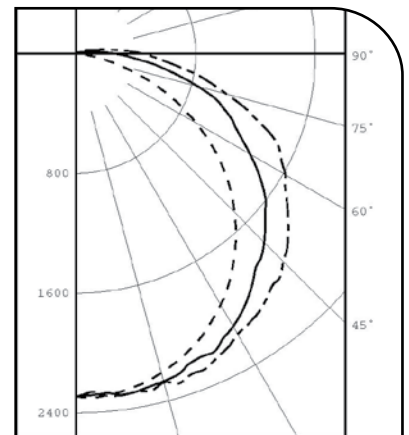
Efficiency (total)	0.56
Spacing Criterion (0-Deg)	1.3
Spacing Criterion (90-Deg)	1.4

Average Luminance (Candelas / Square Meter)

Angle	0	45.0	90
45	9983	11947	13161
55	9236	12476	12786
65	7813	11435	12826
75	5279	10318	10912
85	2159	7083	8476

Zonal Lumen Summary

Zone	Lumens	% Lamp	% Fixture
0-30	1854	12.4	22.0
0-40	3095	20.6	36.8
0-60	5773	38.5	68.6
0-90	8166	54.4	97.0
90-180	251	1.7	3.0
0-180	8416	56.1	100



Coefficient of Utilization Table Effective Floor Cavity Reflectance = 20%

Quadrilaterally Symmetric 0 Degree (dash line) 90 Degree

Pcc... Pw... RCR	80				70				50				30				10				0
	70	50	30	10	70	50	30	10	50	50	30	10	30	50	30	10	10	50	30	10	
0	66	66	66	66	65	65	65	65	61	61	61	61	58	58	58	58	56	56	56	56	54
1	59	56	53	51	58	55	52	50	52	50	48	48	50	48	46	46	47	46	45	45	43
2	54	48	44	40	52	47	43	40	45	41	39	39	43	40	37	37	41	38	36	36	35
3	49	42	37	33	47	41	36	33	39	35	32	32	37	34	31	31	35	33	30	30	29
4	44	37	32	28	43	36	31	27	34	30	27	27	33	29	26	26	31	28	26	26	24
5	40	33	27	23	39	32	27	23	31	26	23	23	29	25	22	22	28	25	22	22	21
6	37	29	24	20	36	29	24	20	28	23	20	20	26	22	19	19	25	22	19	19	18
7	35	27	21	18	33	26	21	18	25	21	17	17	24	20	17	17	23	20	17	17	16
8	32	24	19	16	31	24	19	16	23	18	15	15	22	18	15	15	21	18	15	15	14
9	30	22	17	14	29	22	17	14	21	17	14	14	20	16	14	14	19	16	13	13	12
10	28	20	16	13	27	20	16	13	19	15	12	12	19	15	12	12	18	15	12	12	11

Photometric Data by Independent Testing Lab ITL Boulder.