



TITAN[®]
CONTROLS


APOLLO 1

Repeat Cycle Timer with Photocell
Instruction Manual



Sunlight Supply, Inc.

National Garden Wholesale.

VANCOUVER, WASHINGTON U.S.A. 



Sunlight Supply, Inc.

National Garden Wholesale.

VANCOUVER, WASHINGTON U.S.A.



Apollo 1

- Warnings
- Apollo 1- Repeat Cycle Timer with Photocell Overview
- Instructions for Operation
- Troubleshooting Tips
- Controller Specifications
- Installation Examples
- Warranty Information
- Service and Repair Program

Warnings

- Read all instructions before operating controller.
- Do not put your controller in an area where it can get wet or sprayed.
- Mount your controller securely to the wall using hardware provided.
- When using “bug bombs” in area, cover controller completely to avoid corrosion.
- There are no serviceable parts in controller. Do not attempt to repair the unit.
- Breaking “warranty” seal will void your warranty.
- Do not put paperclips, tools, etc. into unit. Possible electrocution may occur.
- Plug controller into surge protector to avoid potential damage to the unit.
- Make sure to verify your power source prior to plugging controller into outlet.
- Check that all equipment that will be activated by this controller is the proper voltage.
- This controller is designed for inside use only.
- Avoid placing the controller near heat generating sources.
- Use caution when operating controller in extremely humid environments.
- Do not use controller for purposes other than the unit was designed to function.
- Use controller within defined environmental specifications.
- Ask your Dealer for tips and techniques regarding the use of this controller.
- Be conscientious when disposing of any products.
- Enjoy your Titan Controls environmental controller for years to come!

Apollo 1 – Repeat Cycle Timer with Photocell Overview

The Apollo 1- Repeat Cycle Timer with Photocell has two adjustment knobs and a switch that may be used to configure the controller to perform as required.

The dial knob on the left side of the controller is used to adjust the “On time” of the load output. The adjustment of the “On time” ranges from three (3) seconds to thirty (30) minutes. The dial knob on the right side of the controller is used to adjust the “Off time” of the load output. The

WARRANTY SERVICE: Please read warranty information first

If after reviewing the troubleshooting tips the unit will still not work, you should return it to the Dealer where you purchased it. They will be able to further evaluate the unit and test its various components and quite possibly will be able to identify and/or fix any problems. If the Dealer is unable to fix the unit, they will return it to us for factory repair.

If there are no Dealers in your area, you may contact us directly for technical support. If we cannot help you resolve the problem over the phone, we will issue you a RMA # (return merchandise authorization) authorizing you to return the unit to us for factory reconditioning (if the unit is under warranty). Contact the number below for a RMA and shipping address. Complete the form below and include it with your unit. Also please write the RMA # on the outside of the box.

Please package the unit in its original packaging. If it is damaged in shipment we cannot be responsible.

Once we receive the unit back, we will repair it within 48 hours (business) and return it to you freight prepaid via FedEx or UPS ground shipment.

Warranty Information

- Titan Controls warrants the original purchase of this product against defects in material and workmanship under normal use for three (3) years from the date of purchase.
- During the warranty period, Titan Controls will, at our option, and without charge, repair or replace this product if the controller or any of its components fail or malfunction.
- All returns or repairs must be accompanied by a Return Merchandise Authorization (RMA) number prior to any service of the product.
- This warranty is expressly in lieu of all other warranties, expressed or implied, including the warranties of merchantability and fitness for use and of all other obligations or liabilities on the part of the seller.
- This warranty shall not apply to this product or any part thereof which had been damaged by accident, abuse, misuse, modification, negligence, alteration or misapplication.
- Controllers with serial numbers or date tags that have been removed, altered or obliterated; broken seals or that show evidence of tampering; mismatched board serial numbers or nonconforming parts, are excluded from coverage.
- Titan Controls makes no warranty whatsoever in respect to accessories or parts not supplied by Titan Controls.
- Monetary refunds of the warranty will not be given.
- The Buyer assumes all responsibility regarding the use & installation of this controller.
- All warranty service is provided through the factory or an authorized service representative.
- This warranty shall apply only to the United States, including Alaska, Hawaii and territories of the United States.
- Defective controllers need to be returned with the “proof of purchase/receipt”.
- For additional warranty information, contact a Titan Controls Technical Service Representative or your Dealer.
- NOTE: Titan Controls is a manufacturer of environmental controls. All sales offerings to the public are done through a nationwide group of Dealers. No sales offerings will be made directly to the general public.

Service and Repair Program

- For all service and repairs please contact one of our Technical Service Representatives for a Return Merchandise Authorization (RMA) number.
- All factory service & repairs will be completed within 48 hours of receipt of controller and after authorization by customer for repairs.
- Titan Controls will, at its discretion, repair or replace the controller.
- Factory calibration services are available for all Titan Controls. Returning Units: Please contact your retail store for returns.

adjustment of the “Off time” ranges from three (3) minutes to eight (8) hours.

The switch is used to determine when the controller will be active. The switch in the up position, configures the timer to be active during the “DAY” only. If the switch is placed in the down position, the timer will be active during the “NIGHT” only. The controller can also be configured to operate during “BOTH” the day and the night by placing the switch in the center position. The controller will cycle the load output on and off in accordance with the preferred settings. When the output is on, the “ACTIVE” LED will illuminate. The Apollo 1 provides up to 15 amps of capacity on a standard 120 volt circuit. The Apollo 1 is built with the highest quality components and will provide the user with years of trouble free service.

Instructions for Operation

- Securely mount your Apollo 1 in your enclosure and away from any spray, water or mist.
- Set the “On time” to activate your equipment at preferred setting.
- Set the “Off time” to deactivate your equipment at preferred setting.
- Plug your equipment into the female side of the piggyback cord set.
- Turn on your equipment to desired setting.
- Plug the male side of the piggyback cord set into a 120 volt/15 amp maximum branch circuit outlet. Use of a surge protection power strip is recommended.
- Turn the power switch of the controller to the “ON” position.
- Your Apollo 1 will now control your equipment at the desired settings until the power is defeated.
- To reset your Apollo
 1. Simply turn “OFF” the switch, adjust your settings, and turn “ON” the power switch to activate controller at new settings.

Troubleshooting Tips

If the Apollo 1 is not performing as expected, try the following:

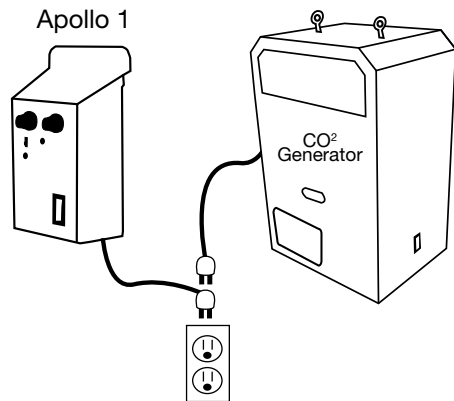
- a. Confirm that your power input is active and providing 120 volts/15 amps to the controller.
- b. Check the voltage output of your piggyback cord set using a voltage test meter, fan or 120 volt light to verify power is flowing through controller.
- c. Make sure that your “DAY/BOTH/NIGHT” switch is in the correct mode for your application.
- d. If your Apollo 1 is not functioning in the correct mode, check the photocell to see if there is anything covering the photocell. If so, clean the lens using warm water on a soft cloth.
- e. If timing is incorrect, try turning “On time” / “Off time” knobs slightly higher or lower to achieve correct timing pattern. Once correct settings have been achieved, Apollo 1 will cycle at those settings until power is interrupted.
- f. If you are still having problems with your Apollo 1, please contact our Technical Service Representative to assist you further.

Controller Specifications:

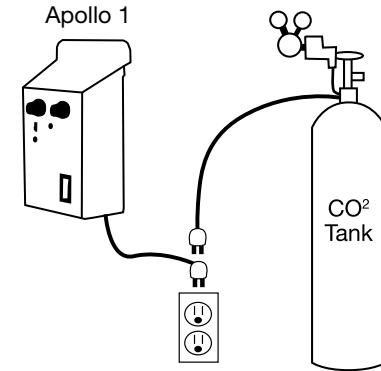
- Size = 8"H x 4"W x 2.5"D
- Weight = 2 lbs.
- Input Voltage = 120 VAC – 60 Hz
- Output Voltage = 120 VAC – 60 Hz
- Maximum Amperage = 15 amps
- Accuracy = $\pm 5\%$ of desired setting
- "On time" = 3 seconds to 30 minutes
- "Off time" = 3 minutes to 8 hours
- RoHS compliant = Yes
- Cord set = 6 feet - 14/4 SWJ
- Storage Temperature = 32°F (0°C) to 135°F (58°C)
- Operating Temperature = 32°F (0°C) to 120°F (50°C)

Installation Examples

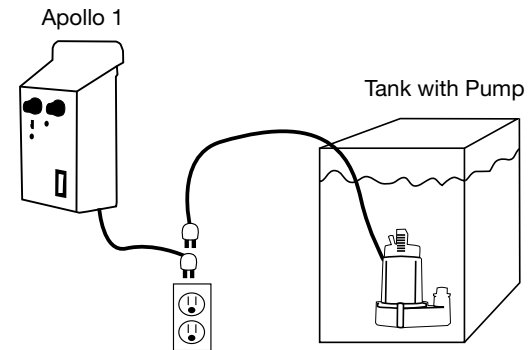
Controlling a CO² Generator



Controlling a CO² Tank with Generator



Controlling a Water Pump



Controlling a Fan

