

Project:	Toshiba Lamp:
Type:	Notes:

PAR30 Short

Ordering Information

Ordering Code	Input Voltage (VAC)	Lamp Shape	Base Type	CCT ¹	Initial Lumens (lm) ²	Beam Angle	Wattage (W)	Lamp Efficacy (lm/W)	Rated Life (hrs) ³	CBCP (cd)	CRI	Power Factor	Equivalency ⁴	Lamp Weight lb (g)	ENERGY STAR
16P30S/827SP8	120	PAR30	E26	2700K	710	8°	15.6	45.5	40,000	12500	81	> 0.70	70W Halogen	0.49 (224)	●
16P30S/827NFL23	120	PAR30	E26	2700K	780	23°	16.3	47.9	40,000	3600	80	> 0.70	70W Halogen	0.56 (255)	●
16P30S/827FL32	120	PAR30	E26	2700K	780	32°	16.3	47.9	40,000	1650	80	> 0.70	60W Halogen	0.56 (255)	●
16P30S/830SP8	120	PAR30	E26	3000K	730	8°	15.6	46.8	40,000	12700	82	> 0.70	70W Halogen	0.49 (224)	●
16P30S/830NFL23	120	PAR30	E26	3000K	800	23°	16.3	49.1	40,000	3800	80	> 0.70	75W Halogen	0.56 (255)	●
16P30S/830FL32	120	PAR30	E26	3000K	800	32°	16.3	49.1	40,000	1750	80	> 0.70	65W Halogen	0.56 (255)	●
16P30S/840SP8	120	PAR30	E26	4000K	740	8°	15.6	47.4	40,000	12800	84	> 0.70	70W Halogen	0.49 (224)	●
16P30S/840NFL23	120	PAR30	E26	4000K	800	23°	16.3	49.1	40,000	3800	86	> 0.70	75W Halogen	0.56 (255)	●
16P30S/840FL32	120	PAR30	E26	4000K	800	32°	16.3	49.1	40,000	1750	86	> 0.70	65W Halogen	0.56 (255)	●



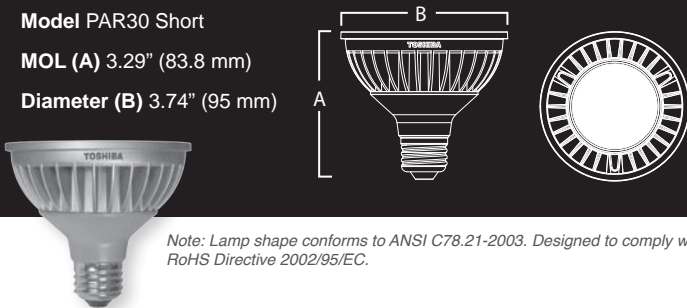
- CCT Range complies to ANSI C78.377-2008.
- Thermally stable typical lumens (± 10%)
- Rated life is based on 70% lumen maintenance and engineering testing and probability analysis; life hours per ENERGY STAR® may vary.
- Equivalency based on the ENERGY STAR® Integral LED Lamp Center Beam Intensity Benchmark Tool.

Note: All information consistent with IESNA LM-80-08 results and IESNA LM-79-08 testing completed by a qualified third party facility. All lamps meet ENERGY STAR Integral LED Lamp requirements and will be submitted for testing. Five-year warranty based on 12 hr/day usage. Toshiba LED Lighting Systems Division reserves the right to make changes and/or improvements in designs and/or dimensions without notice or obligation.



Dimensions

Model PAR30 Short
MOL (A) 3.29" (83.8 mm)
Diameter (B) 3.74" (95 mm)



Note: Lamp shape conforms to ANSI C78.21-2003. Designed to comply with RoHS Directive 2002/95/EC.

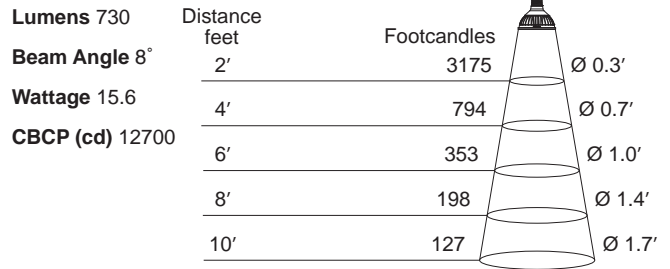
Energy Savings

Ordering Code	50W Halogen	65W Halogen	75W Halogen
16P30S/830SP8	\$151.36	\$217.36	\$261.36
16P30S/830NFL23	\$148.28	\$214.28	\$258.28
16P30S/830FL32	\$148.28	\$214.28	\$258.28

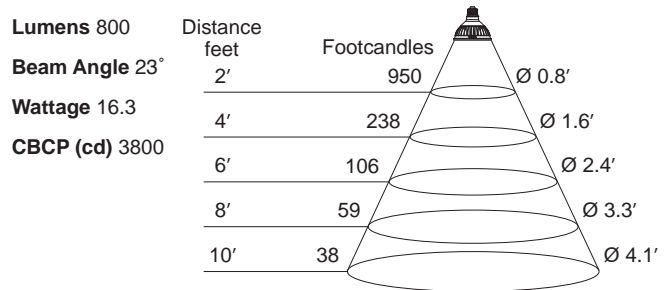
Note: Energy savings based on using one bulb for 40,000 hr rated life at 11¢/kWh. Does not include maintenance and replacement lamp savings.

Illuminance Cone Diagrams

16P30S/830SP8



16P30S/830NFL23



16P30S/830FL32

