

TOSHIBA E-CORE LED MR16 GU10

DESIGN

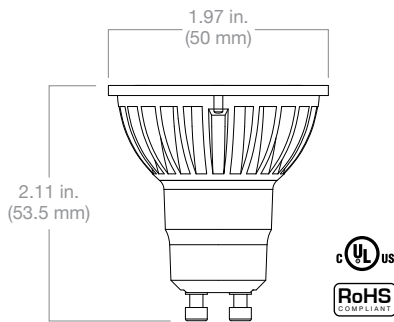


Project: _____ Date: _____
 Type: _____ Voltage: _____
 Comments: _____

> The **Toshiba E-Core MR16 GU10** is a high quality 120 VAC LED replacement lamp. The MR16 GU10 is a highly efficient LED lamp which uses only 5 watts of energy, significantly reducing your carbon footprint while maintaining a very high quality of light. It has a GU10 bayonet base, which makes it ideal for retail lighting, museum lighting, hospitality lighting, accent lighting, recessed lighting, and architectural lighting. All Toshiba E-Core LED products have been manufactured in accordance with RoHS standards, and unlike compact fluorescent products, E-Core lamps contain no mercury.

Lamp Type	MR16 GU10 5.0 W 2700 K	MR16 GU10 5.0 W 3500 K	MR16 GU10 5.0 W 4000 K
Ordering Code	5GU10/827/FL25	5GU10/835/FL25	5GU10/840/FL25
Model	LEL-MR4L-GU1F-1/US	LEL-MR4WWGU1F-1/US	LEL-MR4W-GU1F-1/US
Wattage	5.0 W	5.0 W	5.0 W
Voltage	120 V	120 V	120 V
Color Temperature	2700 K	3500 K	4000 K
Initial Lumen	130 lm	145 lm	145 lm
Efficacy	26.0 lm/W	29.0 lm/W	29.0 lm/W
CRI	Ra 80	Ra 80	Ra 80
Beam Angle	25°	25°	25°
CBCP	430 cd	480 cd	480 cd
Base	GU10	GU10	GU10
Rated Life	40,000 Hrs.	40,000 Hrs.	40,000 Hrs.
Weight	2.1 oz. (60 g)	2.1 oz. (60 g)	2.1 oz. (60 g)

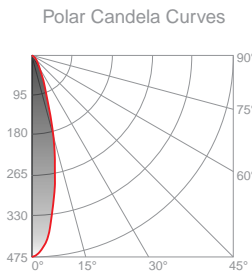
DIMENSIONS



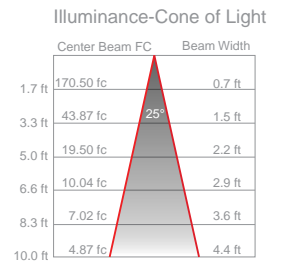
UL Listed, FCC and RoHS Compliant
 Three-Year Limited Warranty
 Photometric Testing Consistent with IES LM-79

PHOTOMETRICS

MR16 GU10 5.0 W 3500 K



Zone	Lumens(lm)	%Luminaire(%)
0-30	112	77.3
0-40	122	83.8
0-60	134	92.6
0-90	145	100.0
60-90	11	7.4
0-180	145	100.0



© 2010 Toshiba International Corporation
 LED Lighting Department
 13131 West Little York Road, Houston, Texas 77041
 US 800-231-1412
 Rev. 100510

ORDERING INFORMATION

Type	Color Information	Beam Angle
5GU10 - MR16 GU5.3	827 - Ra 80, 2700 K	FL25 - 25°
	835 - Ra 80, 3500 K	
	840 - Ra 80, 4000 K	

Example: 5GU10/827/FL25