

Model Number:

Accessories:

Type:

Job:

Approvals:

DESCRIPTION

The TLED-B series bollard's traditional design combined with a high performance LED light source and superior thermal management makes it an attractive, energy saving choice. Every aspect of the TLED-B series design has been engineered to provide a LED bollard that delivers optimum optical performance and longevity in an attractive, durable housing. The TLED-B housing uses a UV resistant powder coated finish to protect against the elements and is ETL listed for wet locations. An available 12 LED light engine with 27.5 total system watts and a 747 lumen output, the TLED-B bollard provides a wide spectrum of application options for lighting pedestrian walkways, retail entryways, as well as lighting sidewalks in schools, office buildings, and apartment complexes.

SPECIFICATIONS

Construction:

An extruded aluminum housing features clean architectural lines with ample, integral mounting space for many optional accessories, the TLED-B's most important construction feature is its integrated thermal management, which allows for optimum performance and durability of the LED light engine without sacrificing design aesthetics. LEDLITElogic heat sinking technology moves heat away from the LEDs by utilizing a patent-pending "chimney" design that takes advantage of thermal convection dynamics maximizing system performance and delivering a 70,000 hour life with 70% lumen maintenance. The TLED-B is completely sealed and gasketed, is ETL listed for wet locations, and has tamper resistant hardware, making it a perfect choice for tamper resistant applications. TLED-B also incorporates a UV resistant, long lasting, polyester based powder coated finish.

Optics:

Our TLED-B series bollard delivers exceptional light quality, efficiency and light distribution with an optical design that provides even light distribution. The TLED-B's textured silver, internal reflector is specifically designed to diffuse and distribute light where it is needed in the most efficient way possible.

Electrical:

The 12 LED SSL light engine in the TLED-B draws 27.5 watts including the driver. The TLED-B is powered by constant voltage control driver and provides a 70,000 hour rated life with 70% lumen maintenance, a 4500K to 5000K CCT, and a CRI of ≥ 75 . All drivers are Class 2 power supplies with input voltage range of 120VAC to 277VAC, providing a Class A EMI rating and a high power factor of ≥ 0.90 . The TLED-B is suitable for operation in -40°C (-40°F) to 40°C (104°F) ambient conditions.

Environmentally Friendly Design:

TLED-B luminaires consume very little energy and provide long life in comparison to traditional lamp technologies. Our manufacturing process utilizes no hazardous substances such as mercury or lead. The LED-B is RoHS (Restriction of Hazardous Substances) compliant, 100% recyclable, and provides a significant reduction in Kw load and carbon emissions.

Installation:

The TLED-B series features a sturdy base plate that is anchored with three J-bolts. The bollard body easily attaches to the base plate by three tamper-resistant fasteners and the bollard top is attached to the body using three more tamper-resistant fasteners.



Fixture Performance					
Part Number	Initial Lumens	Lumens per Watt (LPW)	Total Watts	L70 Hours @ 25°C	BUG Ratings
TLED-B-12-DT	747	27	27.5	70,000	B0-U2-G1

NOTE: Lumen maintenance and life (part of LM-80 data) are per published information from primary LED suppliers and is based on design operation at their specified thermal management and electrical design parameters.

Testing & Compliance:

The reliability and performance of the TLED-B is evaluated in accordance with the parameters outlined and reported by LM-79 and LM-80 documents. Photometric data is tested to IESNA LM-79-08 standard by an independent testing laboratory. Lumen maintenance, L70 a measure of long term reliability, is determined for the light source, which consists of the LED and PCB sub-assembly as installed in the luminaire, is determined using LM-80 in situ thermal and reliability data as provided by the LED manufacturer in accordance with DOE/EPA standards. DLC compliancy is currently in process.

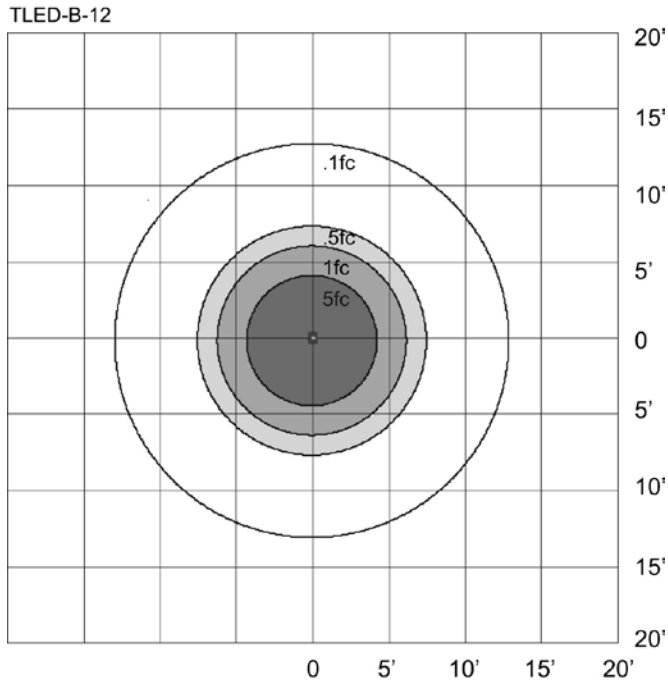
Listing:

The TLED-B is ETL certified under UL1598 specifications and listed for wet locations.

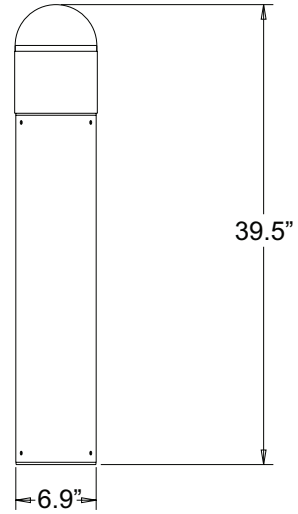
Warranty:

The TLED-B LEDLITElogic series features a 5 year warranty.

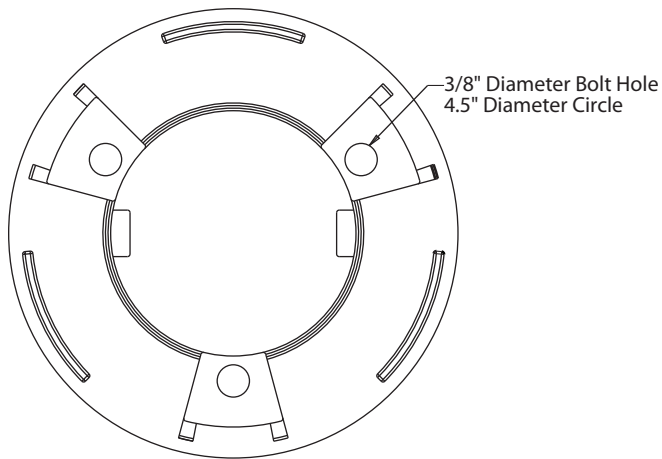
SAMPLE PHOTOMETRICS



DIMENSIONS



MOUNTING TEMPLATE



ORDERING INFORMATION

TLED-B	12	DT	BL	TP
SERIES	# OF LEDs	VOLTS	HOUSING COLOR	OPTIONS (Factory Installed)
TLED-B	12 = 12 LEDs	DT = 120/277V	BL = Black SLV = Silver	TP = Transient Protection System