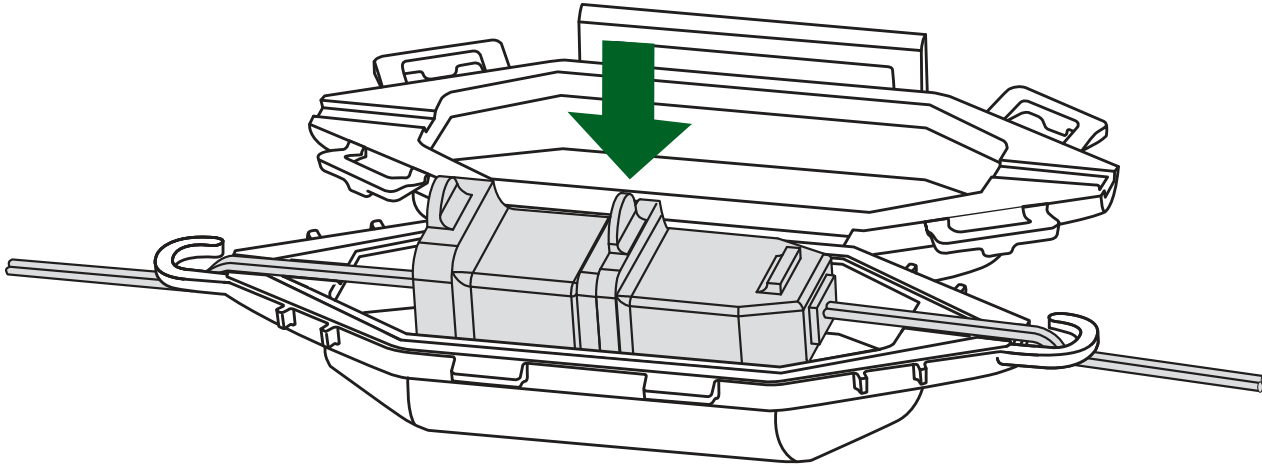




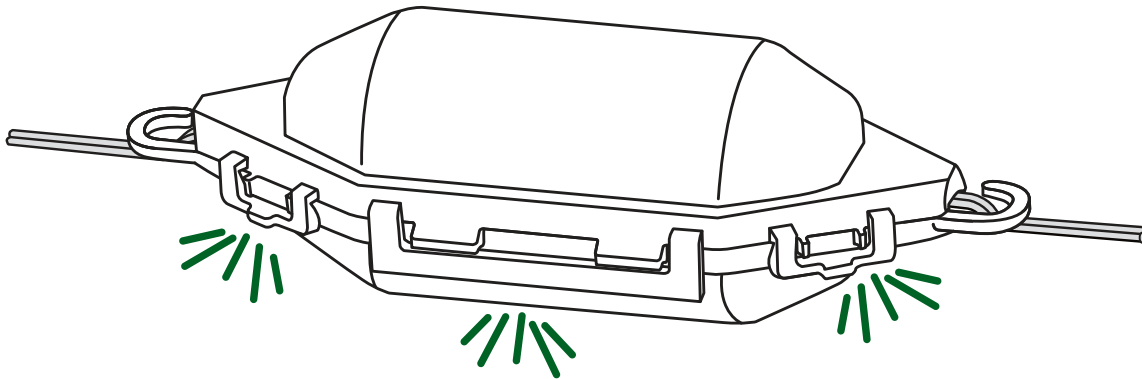
Step 1

Place Cord into Twist & Seal Mini



Step 2

Snap case shut and close tabs



CAUTION: Twist and Seal Mini provides weather protection and is water resistant, but not water proof. **Do not submerge in water.** Always follow all electrical cord manufacturer instructions.