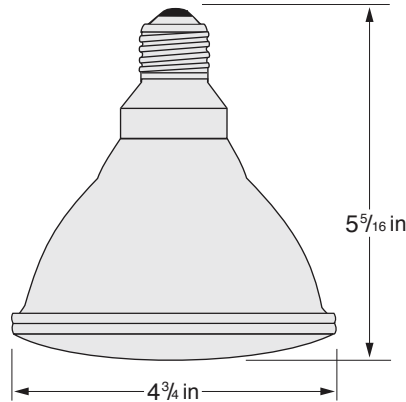


# USHIO

## PRO-PAR™ 38

2900K Color Temperature  
E26 Medium Screw Base  
Universal Burn Position

## CHARACTERISTICS & SPECIFICATIONS



PAR-38

Watts (W)	Ushio Ordering Code	Ushio Lamp Description	Volts (V)	Beam Angle	Center Beam (cp)	Approx Lumens (lm)	Avg Life (h)	Ratings @ 120V		
								Watts (W)	Lumens (lm)	Avg Life (h)
<b>PRO-PAR™ 38</b>										
Ⓢ 45	1001487	45PAR38/SP10/120V	120	10°	7000	520	2900	—	—	—
Ⓢ 45	1001488	45PAR38/SP10/130V	130	10°	7000	520	2500	40	400	5000
Ⓢ 45	1001483	45PAR38/FL30/120V	120	30°	2000	520	2500	—	—	—
Ⓢ 45	1001484	45PAR38/FL30/130V	130	30°	2000	520	2500	40	400	5000
Ⓢ 45	1001489	45PAR38/WFL50/120V	120	50°	600	520	2500	—	—	—
Ⓢ 45	1001490	45PAR38/WFL50/130V	130	50°	600	520	2500	40	400	5000
Ⓢ 60	1002246	60PAR38/SP10/120V	120	10°	15000	720	2500	—	—	—
Ⓢ 60	1003191	60PAR38/SP10/130V	130	10°	15000	720	2500	53	560	5000
Ⓢ 60	1001530	60PAR38/FL30/120V	120	30°	3200	720	2500	—	—	—
Ⓢ 60	1003192	60PAR38/FL30/130V	130	30°	3200	720	2500	53	560	5000
Ⓢ 75	1003193	75PAR38/SP10/120V	120	10°	17500	1100	2500	—	—	—
Ⓢ 75	1003194	75PAR38/SP10/130V	130	10°	17500	1100	2500	53	560	5000
Ⓢ 75	1001725	75PAR38/FL30/120V	120	30°	3500	1100	2500	—	—	—
Ⓢ 75	1003195	75PAR38/FL30/130V	130	30°	3500	1100	2500	53	560	5000
Ⓢ 90	1001556	90PAR38/SP10/120V	120	10°	19500	1300	2500	—	—	—
Ⓢ 90	1001557	90PAR38/SP10/130V	130	10°	19500	1300	2500	79	1015	5000
Ⓢ 90	1001553	90PAR38/FL30/120V	120	30°	5000	1300	2500	—	—	—
Ⓢ 90	1001554	90PAR38/FL30/130V	130	30°	5000	1300	2500	79	1015	5000
Ⓢ 90	1001558	90PAR38/WFL50/120V	120	50°	1500	1300	2500	—	—	—
Ⓢ 90	1001559	90PAR38/WFL50/130V	130	50°	1500	1300	2500	79	1015	5000
Ⓢ 120	1003068	120PAR38/FL30/120V	120	30°	8000	1900	2500	—	—	—

Ⓢ = This Bulb Meets US Federal Minimum Efficiency Standard

Only for use in approved Halogen fixtures  
Case Quantity: 15/case