

USHIO

METAL HALIDE LAMPS

EUROFLOOD™ DOUBLE ENDED SERIES

3000K – 5200K



COMPACT METAL HALIDE LAMPS FOR GENERAL LIGHTING

USHIO Euroflood™ series of compact Metal Halide lamps use a sodium/scandium iodide chemical mixture which maximizes light output and ensures color stability while at the same time achieving excellent life characteristics and good color rendering.

The compact size provides versatility in fixture selection — from industrial and large areas to more compact display lighting applications. The Euroflood™ series offers design flexibility where high light density is desired.

Available in 75W, 150W and 250W with color temperatures ranging from 3000K – 5200K

FEATURES & BENEFITS

- Long life — 10,000 hours average life
- High color stability over entire life time
- High efficacy — 80 lm/W luminous output
- Excellent color rendering — 80 CRI
- UV Protection — protects textiles and plastics
- Compact tubular design



Euroflood™ Metal Halide lamps are manufactured under ISO 9001 guidelines ensuring quality and security for the purchaser

APPLICATIONS

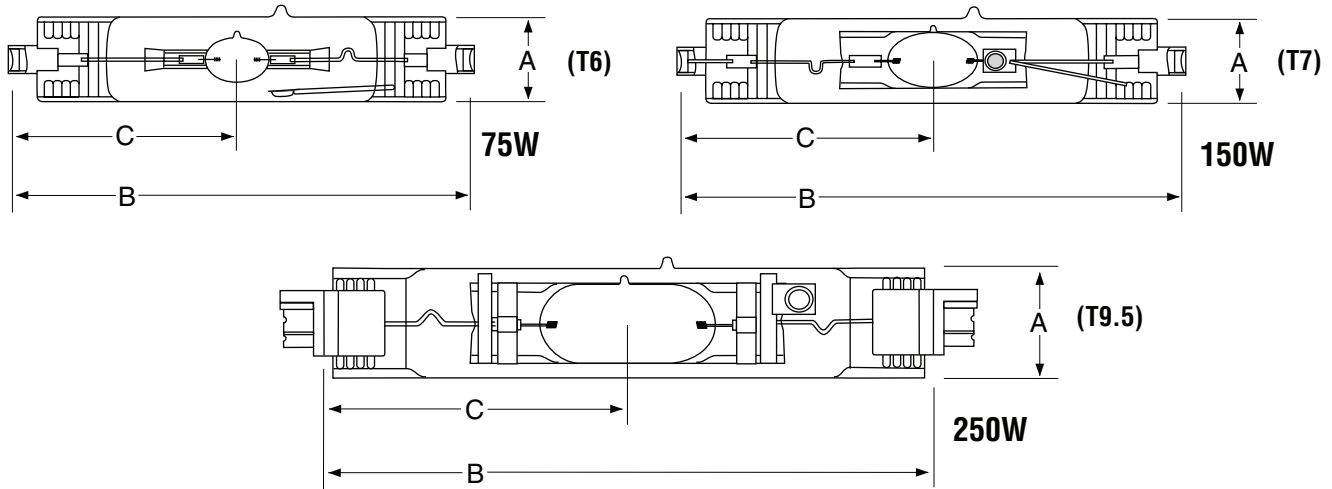
- Window Displays and Showrooms
- Museums and Galleries
- Landscape Lighting
- Lobbies, Hotels, Restaurants
- Athletic Fields, Arenas
- Exhibition Halls
- Floodlighting
- Wall Washing
- Aquariums (5200K)

Distributed by:

USHIO

CHARACTERISTICS & SPECIFICATIONS

EUROFLOOD™



All dimensions are in millimeters

| Watts (W) | Ushio Ordering Code | Ushio Lamp Code | Lamp Current (A) | Luminous Flux (lm) | Color Temp (K) | Dimensions | | | | Ballast |
|---------------------------------|---------------------|-----------------|------------------|--------------------|----------------|------------|------------|---------|---------|---------|
| | | | | | | Dia (A) | C-to-C (B) | LCL (C) | Arc Gap | |
| DOUBLE ENDED — RX7s Base | | | | | | | | | | |
| 75 | 5000194 | UHI-70DW/UVP | 0.9 | 6000 | 3000 | 20 | 114.2 | 57.0 | 8.5 | M85/E |
| 75 | 5000190 | UHI-70DL/UVP | 0.9 | 6000 | 3500 | 20 | 114.2 | 57.0 | 8.5 | M85/E |
| 75 | 5000192 | UHI-70DM/UVP | 0.9 | 6000 | 4200 | 20 | 114.2 | 57.0 | 8.5 | M85/E |
| 150 | 5000184 | UHI-150DW/UVP | 1.8 | 12000 | 3000 | 23 | 132.0 | 66.0 | 18.0 | M81/E |
| 150 | 5000180 | UHI-150DL/UVP | 1.8 | 12000 | 3500 | 23 | 132.0 | 66.0 | 18.0 | M81/E |
| 150 | 5000182 | UHI-150DM/UVP | 1.8 | 12000 | 4200 | 23 | 132.0 | 66.0 | 18.0 | M81/E |
| 150 | 5000178 | UHI-150DD/UVP | 1.8 | 11000 | 5200 | 23 | 132.0 | 66.0 | 18.0 | M81/E |
| DOUBLE ENDED — FC2 Base | | | | | | | | | | |
| 250 | 5000188 | UHI-250DM/UVP | 3.0 | 20000 | 4200 | 25 | 139.0 | 69.5 | 24.0 | M80/E |

Case quantity: 10/case

Lamp Code Suffix Designation:

- DW = Warm White
- DL = Brilliant White
- DM = Cool White
- DD = Daylight
- /UVP = UV-absorbing quartz glass

/E = Enclosed fixture required

Burn Position: Horizontal $\pm 45^\circ$

Recommended Ignition Voltage: 4kV

Average life: 10,000 hours

Lamp should be switched off for at least 15 minutes/week

- LAMP CONTAINS MERCURY

Manage in Accord with Disposal Laws
See: www.lamprecycle.org or 1-800-895-8842

Form No. S-UHI/DE/R-0506

The specifications on this sheet supercede all previously published specifications and may be subject to change for design and specification improvement without prior notice.