

**EUROFLOOD™ UHI SERIES**

- Color Stable
- High Efficacy - 80 lm/W
- Long Life - 10,000 Hours Average
- Compact Design
- 80 Color Rendering Index
- UV Protection

Please see Safety and Handling Instructions on page 89.



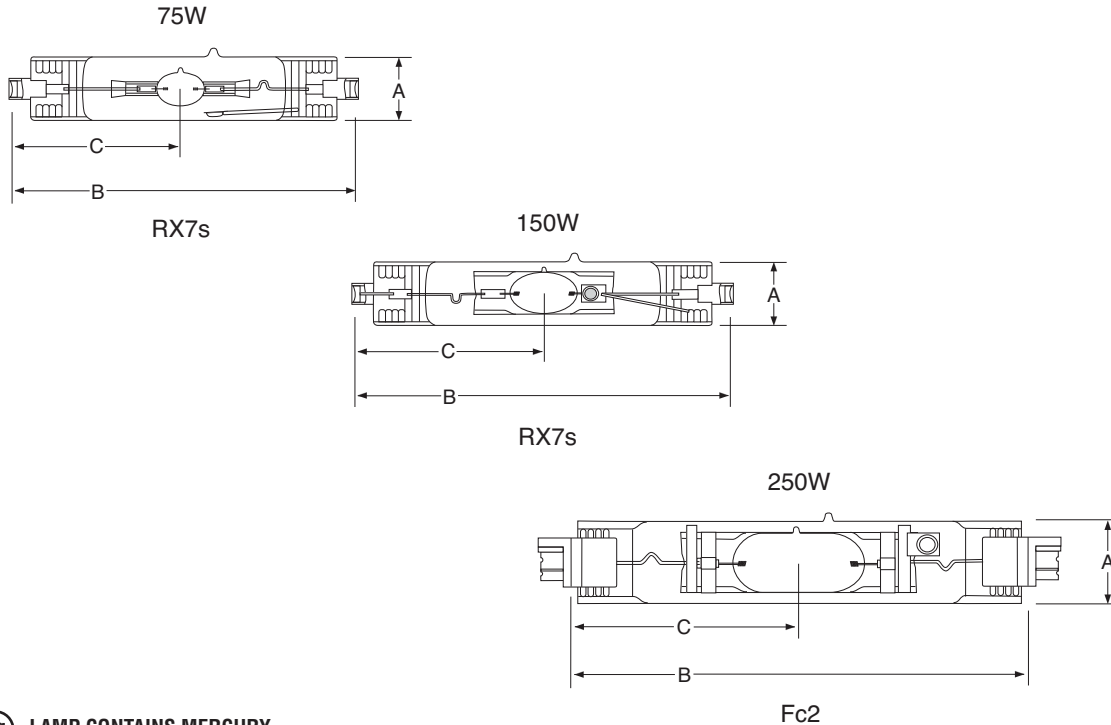
Watts	Ushio Ordering Code	Ushio Lamp Code	Lamp Volts	Lamp Current A	Dimensions				Color Temp K	Luminous Flux lm	Avg Life h	ANSI Ballast/ Fixture	Case Qty
					Dia (A)	C-to-C (B)	LCL (C)	Arc Gap					
<b>Double Ended – RX7s Base</b> <span style="float: right;">mm</span>													
75	5000194	UHI-70DW/UVP	95	0.9	0.79	4.50	2.24	8.5	3000	6000	10000	M85/E	10
75	5000190	UHI-70DL/UVP	95	0.9	0.79	4.50	2.24	8.5	3500	6000	10000	M85/E	10
75	5000192	UHI-70DM/UVP	95	0.9	0.79	4.50	2.24	8.5	4200	6000	10000	M85/E	10
150	5000184	UHI-150DW/UVP	95	1.8	0.90	5.20	2.60	18.0	3000	12000	10000	M81/E	10
150	5000180	UHI-150DL/UVP	95	1.8	0.90	5.20	2.60	18.0	3500	12000	10000	M81/E	10
150	5000182	UHI-150DM/UVP	95	1.8	0.90	5.20	2.60	18.0	4200	12000	10000	M81/E	10
150	5000178	UHI-150DD/UVP	95	1.8	0.90	5.20	2.60	18.0	5200	11000	10000	M81/E	10
<b>Double Ended – Fc2 Base</b> <span style="float: right;">mm</span>													
250	5000188	UHI-250DM/UVP	100	3.0	0.98	5.47	2.74	24.0	4200	20000	10000	M80/E	12

**Burn Position:** Horizontal ±45°  
**Recommended Ignition Voltage:** 4kV  
 Lamp should be switched off for at least 15 minutes/week  
 Use only in fixtures installed with safety glass

All dimensions shown in inches unless otherwise noted.  
 /E = Enclosed Fixture Required

**Lamp Code Suffix Designation:**

- DW = Warm White
- DL = Brilliant White
- DM = Cool White
- DD = Daylight
- /UVP = UV-absorbing quartz glass



**(Hg) - LAMP CONTAINS MERCURY**  
 Manage in Accord with Disposal Laws  
 See: [www.lamprecycle.org](http://www.lamprecycle.org)