

TUNGSTEN HALOGEN LAMPS • MR-16 REFLECTOR

JCR SERIES

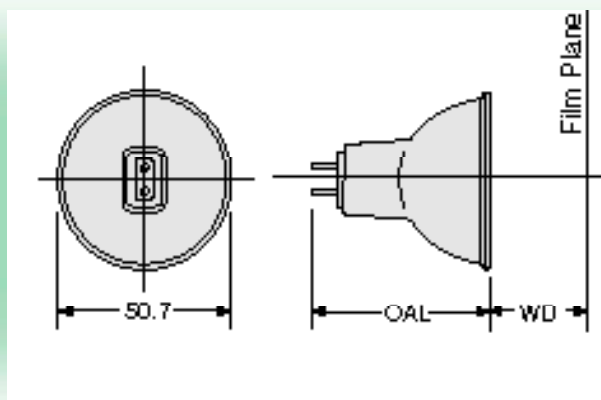
- Focused Beam for Optical Applications
- Only for Use in Approved Enclosed Halogen Fixtures
- 2-Pin Base
- 50mm Dichroic Coated Reflector

- Operate Base Down to Horizontal



Watts	Ushio Ordering Code	Ushio Lamp Code	Dimensions	Reflector Type	Filament Type	Working Distance mm	Luminous Intensity cd	Center Screen Illuminance lx	Color Temp K	Avg Life h	Burn Position
			OAL mm								
2-Pin Base – GX5.3 Base											
30	1000315	EKZ, JCR10.8V-30W	44.5	Specular	CC-6	38.1	—	400	3100	200	BD/Hor
35	1000344	EPN, JCR12V-35W	44.5	Specular	C-6	9.0	—	350	3300	50	BD/Hor
42	1000346	EPT, JCR10.8V-42W	44.5	Faceted	CC-6	38.1	—	250	2900	8000	BD/Hor
50	1000335	ENL, JCR12V-50W	44.5	Faceted	C-6	38.1	2000	—	3000	4000	Any
50	1000546	FML, JCR13.8V-50W	44.5	Faceted	CC-6	214.3	—	230	3150	1000	Any
50	1000197	DJT, JCR13.8V-50W	44.5	Faceted	CC-6	152.0	—	538	3150	1000	BD/Hor
50	1000339	ENZ, JCR30V-50W	44.5	Specular	CC-6	29.0	—	650	3400	25	BD/Hor
80	1000303	EJY, JCR19V-80W	44.5	Specular	CC-6	38.1	—	—	3400	25	BD/Hor
80	1000307	EKG, JCR19V-80W	44.5	Specular	CC-6	44.5	—	700	3400	25	BD/Hor
80	1000336	ENW/ENC, JCR19V-80W	44.5	Specular	CC-6	44.5	—	600	3200	400	BD/Hor
80	1000174	DDM, JCR19V-80W	44.5	Faceted	CC-6	152.4	—	680	3350	50	BD/Hor
80	1000177	DDS, JCR21V-80W	44.5	Faceted	CC-6	165.0	—	646	3125	500	BD/Hor
80	1000312	EKP, JCR30V-80W	44.5	Faceted	CC-6	44.5	—	750	3400	25	BD/Hor
80	1000317	ELB, JCR30V-80W	44.5	Specular	CC-6	29.0	—	900	3400	15	BD/Hor
85	1000180	DED, JCR13.8V-85W	44.5	Specular	C-8	165.0	—	1000	3150	1000	BD/Hor
90	1000347	EPV, JCR14.5V-90W	44.5	Stippled	CC-6	155.2	—	1345	3150	500	BD/Hor
90	1000349	EPX, JCR14.5V-90W	44.5	Stippled	CC-6	165.1	—	538	3150	500	BD/Hor
100	1000326	EMC, JCR12V-100W	44.5	Faceted	CC-6	26.5	—	—	3200	200	BD/Hor
100	1001630	EMC/14, JCR13.8V-100W	44.5	Faceted	CC-6	142.0	19000	—	3200	200	BD/Hor
100	1000420	EXV, JCR12V-100W	44.5	Faceted	C-6	—	4500	—	3350	50	BD/Hor
120	1000311	EKN, JCR17.7V-120W	44.5	Specular	CC-6	38.1	—	1000	3200	120	BD/Hor

Center Screen Illuminance - Approximate value for reference only



GX5.3