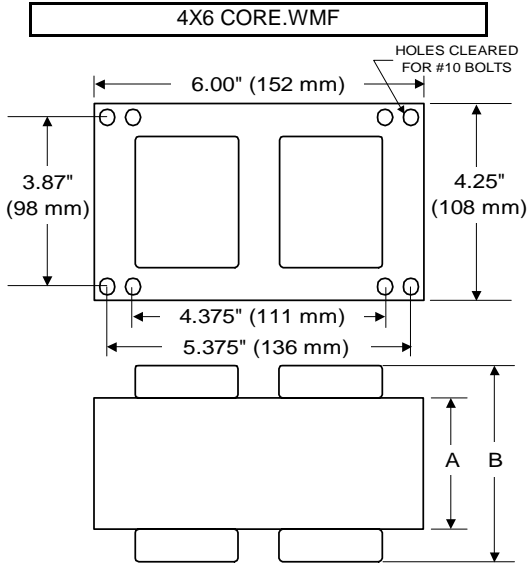




BALLAST SPECIFICATION

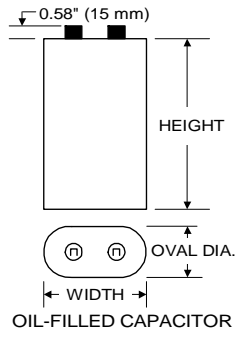
1000W M47 / H36
Metal Halide
V90D6517
60 Hz CWA

Input Volts	120	208	240	277
Line Current (Amps)				
Operating	9.00	5.55	4.60	4.00
Open Circuit	5.35	3.95	2.95	2.50
Starting	6.30	3.50	3.25	2.85
Recommended Fuse (Amps)	22	15	12	10
Regulation				
Line Volts	±10%	±10%	±10%	±10%
Lamp Watts	±10%	±10%	±10%	±10%
Temperature Ratings				
Insulation Class	180 (H)	180 (H)	180 (H)	180 (H)
Coil Temperature Code	D	D	C	C
Benchtop Coil Rise	89.4	89.9	82.4	84.9
Power Factor (Min)	90%	90%	90%	90%
Input Watts	1085 W	1085 W	1085 W	1085 W
Efficiency				
NOM. Open Circuit Voltage	420	420	420	420
Input Voltage At Lamp Dropout	75	120	140	160
Min Ambient Starting Temp	-20°F/-30°C	-20°F/-30°C	-20°F/-30°C	-20°F/-30°C
60 HZ TEST PROCEDURES				
High Potential Test (Volts)				
1 Minute	2,000 V	2,000 V	2,000 V	2,000 V
1 Second	2,500 V	2,500 V	2,500 V	2,500 V
Open Circuit Voltage Test (V)	375 - 460	375 - 460	375 - 460	375 - 460
Short Circuit Current Test (A)				
Secondary Current				
Min	4.80	4.80	4.80	4.80
Max	5.90	5.90	5.90	5.90
Input Current				
Min	5.05	2.80	2.60	2.25
Max	7.60	4.20	3.90	3.40
CORE and COIL Specifications				
Dimension (A)	2.80 in	2.80 in	2.80 in	2.80 in
Dimension (B)	4.95 in	4.95 in	4.95 in	4.95 in
Weight	18.5 lb's	18.5 lb's	18.5 lb's	18.5 lb's
Lead Lengths	12"	12"	12"	12"
Capacitor Requirement				
Microfarads	24.0 uf	24.0 uf	24.0 uf	24.0 uf
Volts (Min)	480 V	480 V	480 V	480 V



Capacitor:	ACB2200V	Ignitor:	None
-------------------	----------	-----------------	------

Microfarads: 24.0 uf
 Volts (Max): 480 V
 Case Temp (Max): 100 °C
 Height (Max): 4.03 in
 Dia (Max): 1.97 in
 Oval Width (Max): 2.97 in



This Ballast Does Not Require An Ignitor

Ordering Information Add Suffix for options

- C - With Capacitor
- K - Prewired, with Capacitor and Bracket Kit
- B - With Welded Bracket, no cap
- CB - With Capacitor and Welded Bracket

Coil material: primary Cu and secondary Al
 RoHS compliant on all manufactured products after August 1, 2007
 Data is based upon tests performed by Venture Lighting in a controlled environment and is representative of relative performance. Actual performance can vary depending on operating conditions. Specifications are subject to change without notice.

11/21/2007 Production

