

250W S50

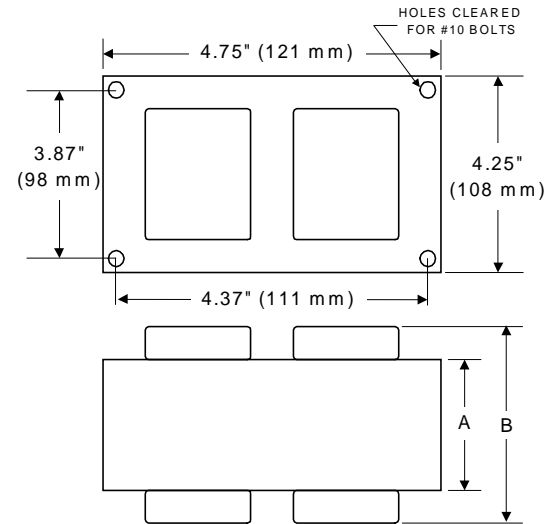
High Pressure Sodium

V90Y1711T

60 Hz CWA

Input Volts	480
Line Current (Amps)	
Operating	0.65
Open Circuit	0.40
Starting	0.47
Regulation	
Line Volts	±10%
Lamp Watts	±12%
UL Temperature Ratings	
Insulation Class	H
Coil Temperature Code	B
Benchtop Coil Rise	
Input Watts	305 W
NOM. Open Circuit Voltage	200
Power Factor	90%
Current Crest Factor	1.65
Input Voltage At Lamp Dropout	320
MIN. Ambient Starting Temp.	-40°F -40°C
60 HZ TEST PROCEDURES	
High Potential Test (Volts)	
1 Minute	2,000 V
1 Second	2,400 V
Open Circuit Voltage Test (V)	180 - 220
Short Circuit Current Test (A)	
Secondary Current	Min 3.80
	Max 4.70
Input Current	Min 0.30
	Max 0.60
Recommended Fuse (Amps)	2
CORE and COIL Specifications	
Dimension (A)	1.80 in
Dimension (B)	3.60 in
Weight (lbs.)	11.0 lb's
Lead Lengths	12"
CAPACITOR Specifications	
Microfarads	35.0 uf
Volts (min.)	240 V

4X4 CORE - HX, CWA & CWI UNITS

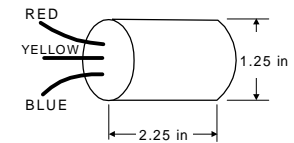
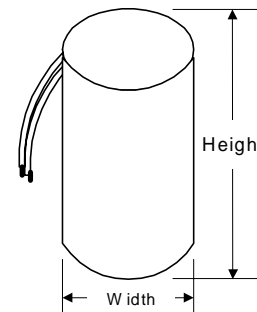


Capacitor: ACG172

Ignitor: BVS-005-A

Temp Rating: 100 °C
Height: 3.92 in
Dia/Oval Dim 1.60 in

Temp: 105 °C
BTL: 2 ft



Plastic Dry Film Capacitor

Ordering Information Add Suffix for options

- C - With Capacitor
- K - With Capacitor and Bracket Kit
- B - With Welded Bracket no cap

Data is based upon tests performed by Venture Lighting in a controlled environment and is representative of relative performance. Actual performance can vary depending on operating conditions. Specifications are subject to change without notice

12/8/00 **Production**

