



RS Series Passive Infrared (PIR) Application-Specific Wall Switch Vacancy Sensors



PROJECT
LOCATION/TYPE

Product Overview

Description

Watt Stopper/Legrand's RS Series PIR Application-Specific Wall Switch Vacancy Sensors provide occupancy-based automatic lighting shutoff for the home. They are designed to easily replace standard wall switches, and are engineered to comply with California's rigorous Title 24-2005 residential energy code.

Operation

RS Series Application-Specific Vacancy Sensors use advanced PIR technology to sense the difference between infrared energy from a person in motion and the background space. The sensors automatically turn lights off after a space becomes vacant and a preset time delay elapses. RS Series Vacancy Sensors provide manual-on operation, allowing users to manually turn lights on or off at any time by operating the on/off button.

Optional Nightlight

The RS-150BA-N incorporates a nightlight that illuminates whenever lights are off. The nightlight uses LED technology that consumes only a marginal amount of energy when lit.

Applications

RS Series Application-Specific Vacancy Sensors require no adjustment to operate in the particular application for which they are designed. They are ideal for bathroom and bedroom applications, with an optional nightlight-equipped model, RS-150BA-N, for areas that receive nighttime traffic.

The sensors are quick and easy to install, and are compliant with California Title 24-2005. They will help homeowners reduce energy consumption and lower their utility bills.

Features

- Replaces a standard light or fan single-pole switch
- No leakage to load in off mode for safety
- Low-profile styling with uniform color-matched lens and device
- Manual-on operation
- Fixed 30-minute time delay; no adjustment necessary
- Lighted switch for visibility in darkened rooms
- Choice of four decorator colors
- Works with most common residential lighting types
- California Title 24-2005 compliant
- Amber LED nightlight option (RS-150BA-N) illuminates whenever overhead lights are off

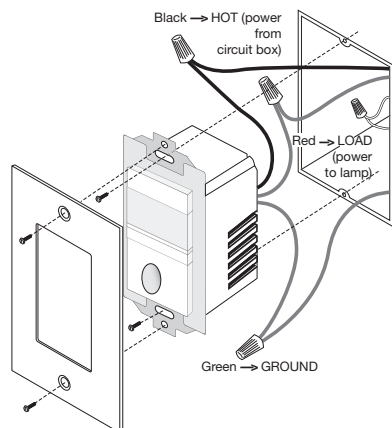


Specifications

- 120 VAC, 60 Hz
- Load requirements: RS-100BA, 25-500W incandescent; RS-150BA and RS-150BA-N, 0-600W incandescent, fluorescent, compact fluorescent (CFL), magnetic low voltage (MLV) and electronic low voltage (ELV), 1/6 hp
- Neutral required (RS-150BA & RS-150BA-N)
- Coverage: 180°, max.600 ft² (56m²)
- 2.63" x 1.69" x 1.88" (67.8mm x 42.9mm x 47.8mm) L x W x D
- Operating conditions: 32°-131°F (0°-55°C), 95% RH, noncondensing
- UL and CUL listed; five-year warranty

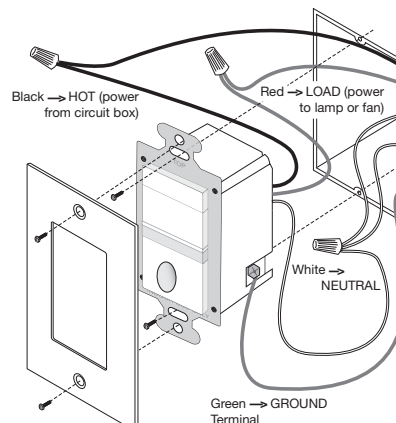
Installation & Wiring

Wiring Without Neutral



Wiring for the RS-100BA does not require a neutral.

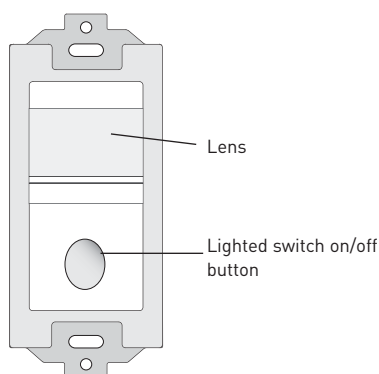
Wiring With Neutral



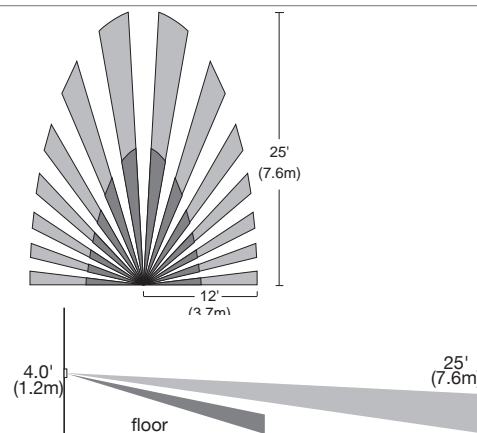
Wiring for the RS-150BA and RS-150BA-N models requires a neutral.

Controls & Coverage

Controls



Coverage



Ordering Information

Catalog No.	Color	Special Features	Voltage	Load Requirement	Coverage
<input type="checkbox"/> RS-100BA-W	White		120 VAC, 60 Hz	25-500W incandescent	180°, max.600 ft ² (56m ²)
<input type="checkbox"/> RS-100BA-I	Ivory				
<input type="checkbox"/> RS-100BA-LA	Lt. Almond				
<input type="checkbox"/> RS-100BA-B	Black				
<input type="checkbox"/> RS-150BA-W	White			0-600W incandescent, fluorescent, CFL, MLV and ELV, 1/6 hp	
<input type="checkbox"/> RS-150BA-I	Ivory				
<input type="checkbox"/> RS-150BA-LA	Lt. Almond				
<input type="checkbox"/> RS-150BA-B	Black				
<input type="checkbox"/> RS-150BA-N-W	White			Nightlight	
<input type="checkbox"/> RS-150BA-N-I	Ivory				
<input type="checkbox"/> RS-150BA-N-LA	Lt. Almond				
<input type="checkbox"/> RS-150BA-N-B	Black				

One ASP-211 Single-gang Decorator Cover Plate included. Order ASP-422 for Two-gang Decorator Cover Plate with Blank Option, or ASP-432 for Two-gang Decorator Cover Plate with Toggle Switch Option.